

THIS DOCUMENT IS THE PROPERTY OF BOSTON WHALER, INC. MFG. DEPT., EDGEWATER, FLORIDA. ALL RIGHTS ARE RESERVED. THIS DOCUMENT AND INFORMATION CONTAINED MUST NOT BE COPIED OR DISCLOSED TO OTHERS WITHOUT WRITTEN PERMISSION OF BOSTON WHALER, INC.

DWG. NO:  
10501

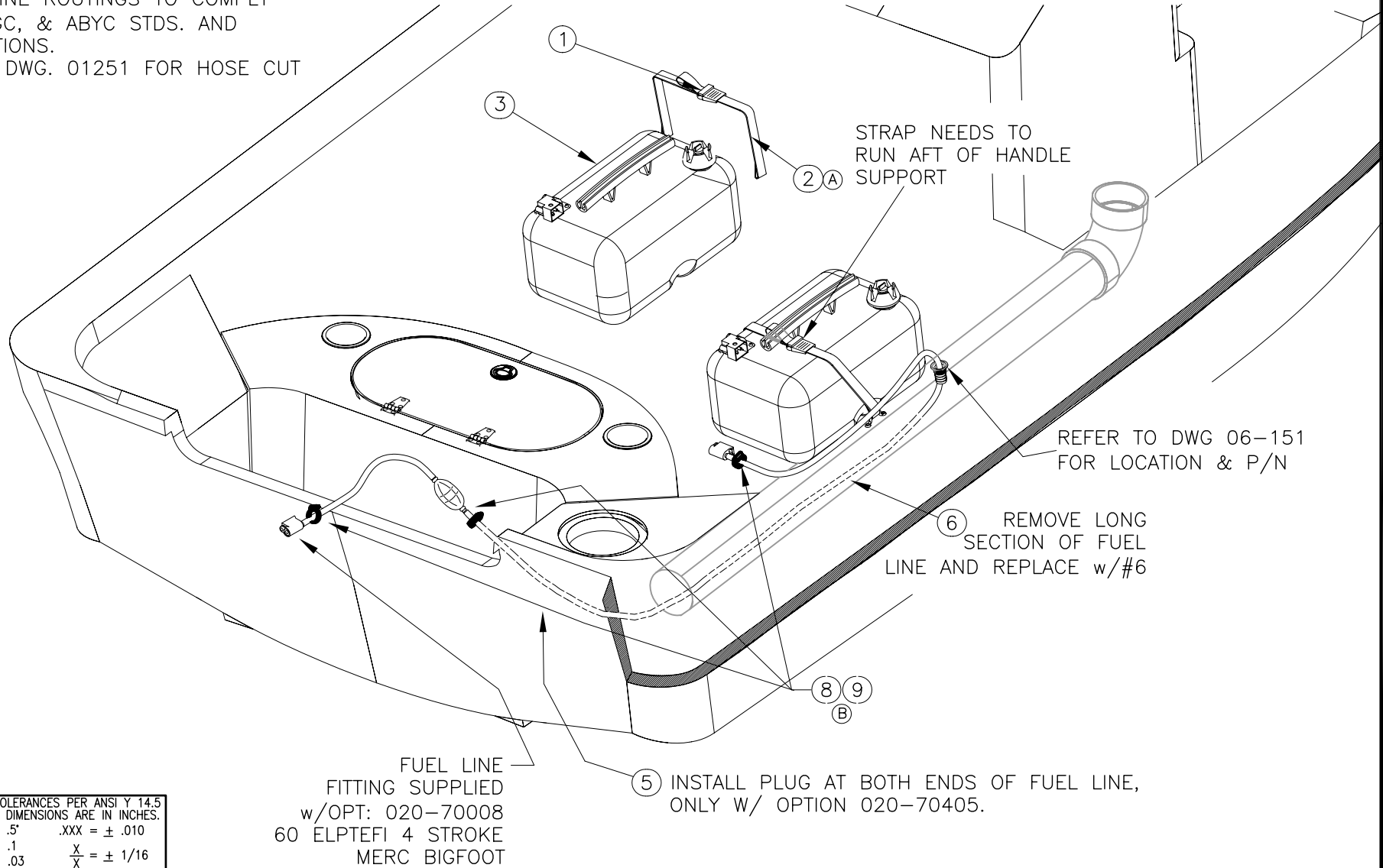
REV.  
C

CURRENT ECD  
051227

REVISIONS					
REV.	DESCR.	BY	DATE	APPVD.	ECN NO.
A	#2 STRAP LENGTH WAS 9'	JFH	10/03/05	VPK	050577
B	REMOVE TYRAP NOTE, ADDED ITEMS 8 & 9, SHEETS 1 & 2	SLJ	12/13/05	ME	051171
C	CHANGED PN # & DESCRIPTION ITEM 6, SHEET 2	SLJ	02/16/06		051227

NOTES:

- REFER TO DWG. 16501 FOR HOLE CUTOUTS.
- HOSE & LINE ROUTINGS TO COMPLY w/NMMA, USGC, & ABYC STDS. AND RECOMMENDATIONS.
- REFER TO DWG. 01251 FOR HOSE CUT LENGTHS.



INTERPRET DIMENSIONS AND TOLERANCES PER ANSI Y 14.5 UNLESS OTHERWISE SPECIFIED DIMENSIONS ARE IN INCHES.  
TOLERANCES: ANGLES = ± .5° .XXX = ± .010  
.X = ± .1 .XX = ± .03  
X = ± 1/16  
DO NOT SCALE DRAWING

FUEL LINE FITTING SUPPLIED  
w/OPT: 020-70008  
60 ELPTEFI 4 STROKE  
MERC BIGFOOT

<p>PRODUCT DEV. &amp; MFG. ENGINEERING GROUP</p>	CHECKED: RA	DATE: 9/09/05	DRAWN: J.HALPIN	DATE: 9-02-05	SCALE: NONE	BOAT MODEL	MOLD NO.
	APPD: KR	DATE: 9/09/05	DWG. TITLE:			150MT06	
	DESIGN: VPK	DATE: 9/09/05	FUEL SYSTEM INSTALLATION			INIT. REL. ECN NO:	DWG. NO:
	INT. ENG: MG	DATE: 9/09/05				050577	10501

THIS DOCUMENT IS THE PROPERTY OF BOSTON WHALER, INC. MFG. DEPT., EDGEWATER, FLORIDA. ALL RIGHTS ARE RESERVED. THIS DOCUMENT AND INFORMATION CONTAINED MUST NOT BE COPIED OR DISCLOSED TO OTHERS WITHOUT WRITTEN PERMISSION OF BOSTON WHALER, INC.

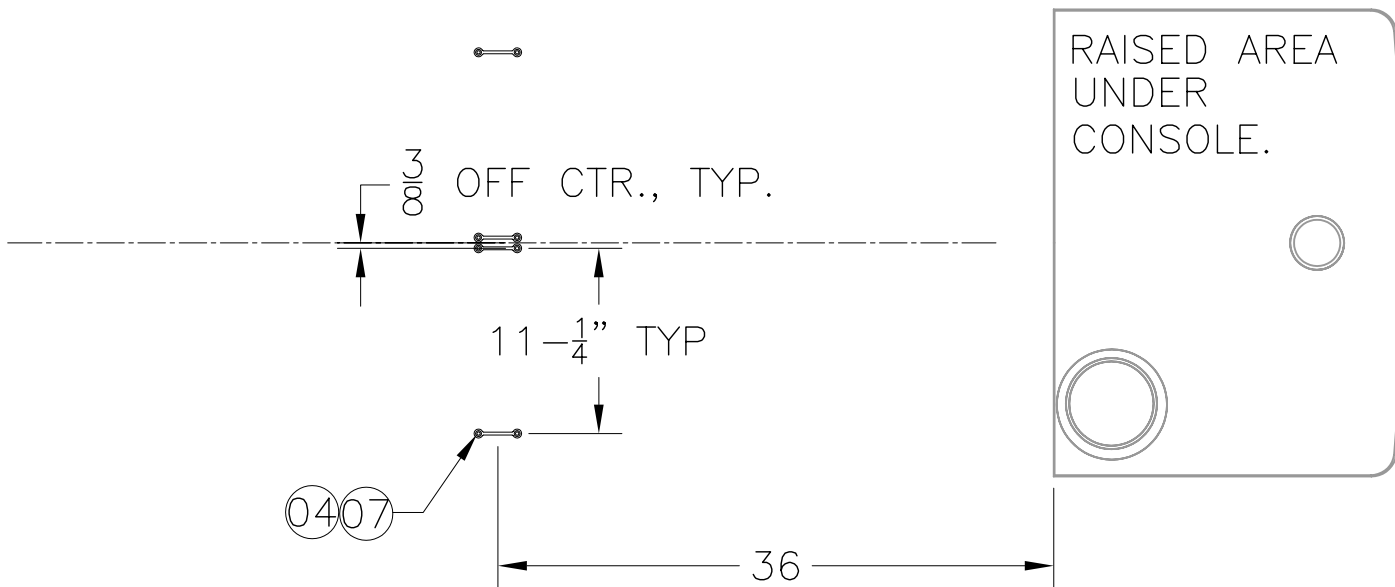
DWG. NO:  
10501

REV.  
C

CURRENT ECD  
051227

PARTS LIST  
DESCRIPTION

ITEM	QTY	U/M	DESCRIPTION	B.W.I. NO.
1	2	EA.	UPH PARTS, BUCKLE 1" SIDE RELEASE M/F BLK	0871004
① 2	7.2	FT.	WEBBING, BW-97 STRAP NYLON 1"	1030105
3	2	EA.	TANK, FUEL 6.6GAL PLAS	1121706
4	4	EA.	BRACKET, BW-97 BATT HOLDDOWN 1.25"CHR/PLT	1042837
5	2	EA.	PLUG, SLEEVE CAP 3/4"OD X 3/8"ID	1043082
③ 6	0	FT.	HOSE, FUEL 3/8" TYPE A CLASS 1 ISO/CE	0123760
7	8	EA.	SCREW, TAPPING #10A X 1" POH SC	1008507
④ 8	3	EA.	CLAMP, HOSE #06M 5/16"-7/8" SS MINI	0123398
⑤ 9	3	EA.	COVER, CLAMP END PROT 1/2"L X.035"X.30"RED	0830976



INTERPRET DIMENSIONS AND TOLERANCES PER ANSI Y 14.5 UNLESS OTHERWISE SPECIFIED DIMENSIONS ARE IN INCHES.  
TOLERANCES: ANGLES =  $\pm .5^\circ$  .XXX =  $\pm .010$   
.X =  $\pm .1$  X =  $\pm 1/16$   
.XX =  $\pm .03$   
DO NOT SCALE DRAWING

DRAWN: J.HALPIN

DATE: 9-02-05

SCALE: NONE

BOAT MODEL  
150MT06

MOLD NO.

DWG. TITLE:

FUEL SYSTEM INSTALLATION

INIT. REL. ECN NO:  
050577

DWG. NO:  
10501

SHT. NO.

2 OF 2