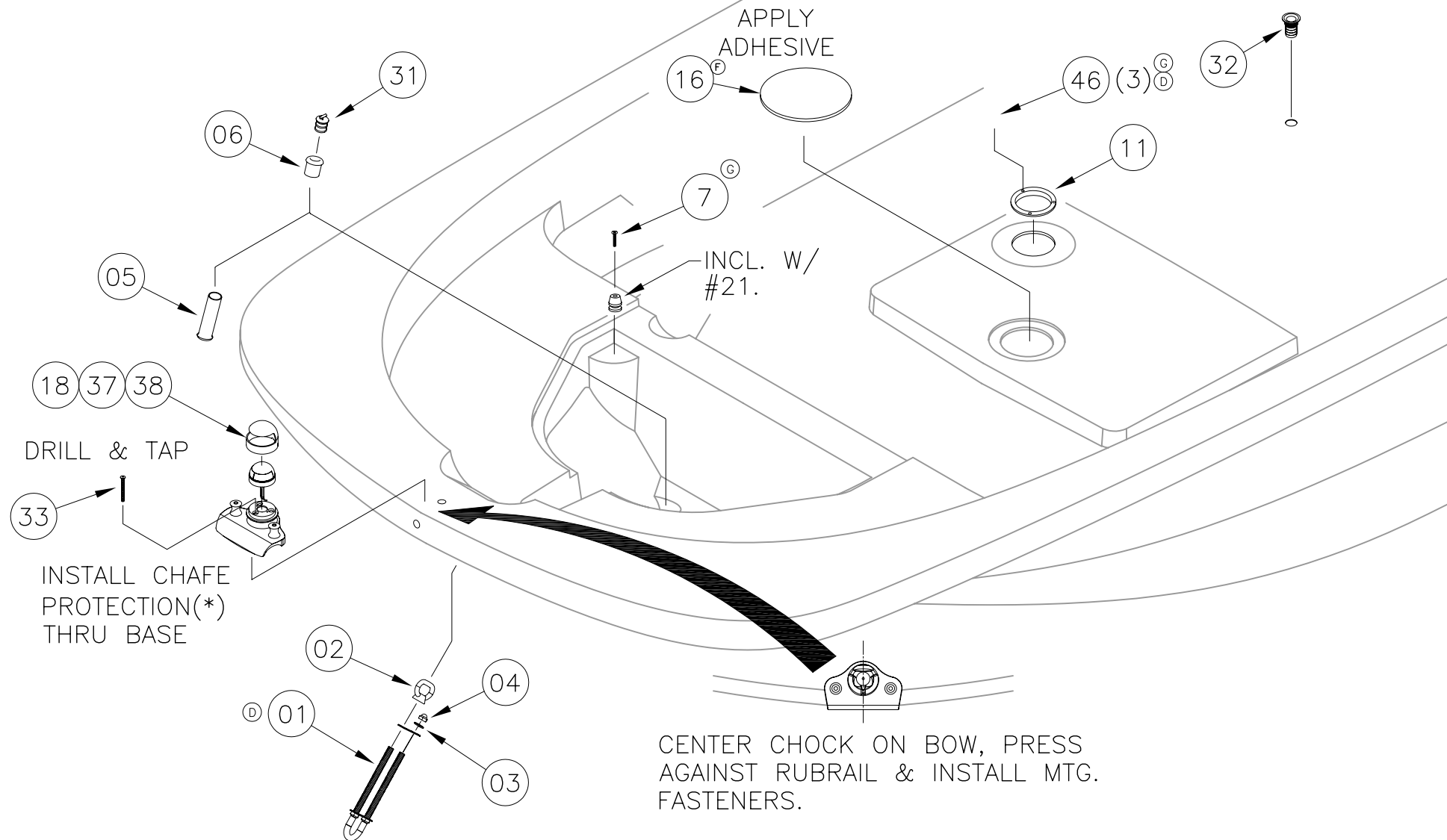


THIS DOCUMENT IS THE PROPERTY OF BOSTON WHALER, INC. MFG. DEPT., EDGEWATER, FLORIDA. ALL RIGHTS ARE RESERVED. THIS DOCUMENT AND INFORMATION CONTAINED MUST NOT BE COPIED OR DISCLOSED TO OTHERS WITHOUT WRITTEN PERMISSION OF BOSTON WHALER, INC.

DWG. NO:
06151

REV.
G

CURRENT ECD
051171

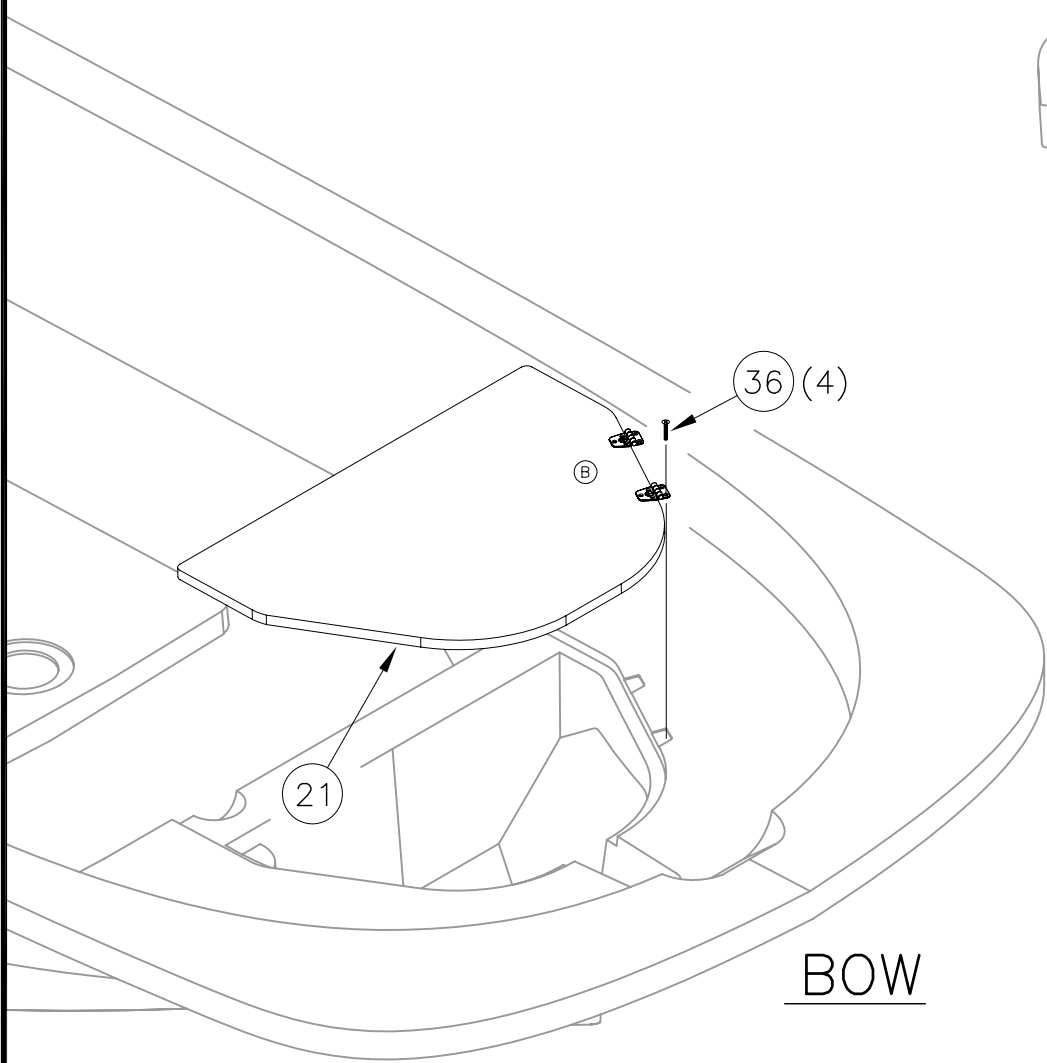


THIS DOCUMENT IS THE PROPERTY OF BOSTON WHALER, INC. MFG. DEPT., EDGEWATER, FLORIDA. ALL RIGHTS ARE RESERVED. THIS DOCUMENT AND INFORMATION CONTAINED MUST NOT BE COPIED OR DISCLOSED TO OTHERS WITHOUT WRITTEN PERMISSION OF BOSTON WHALER, INC.

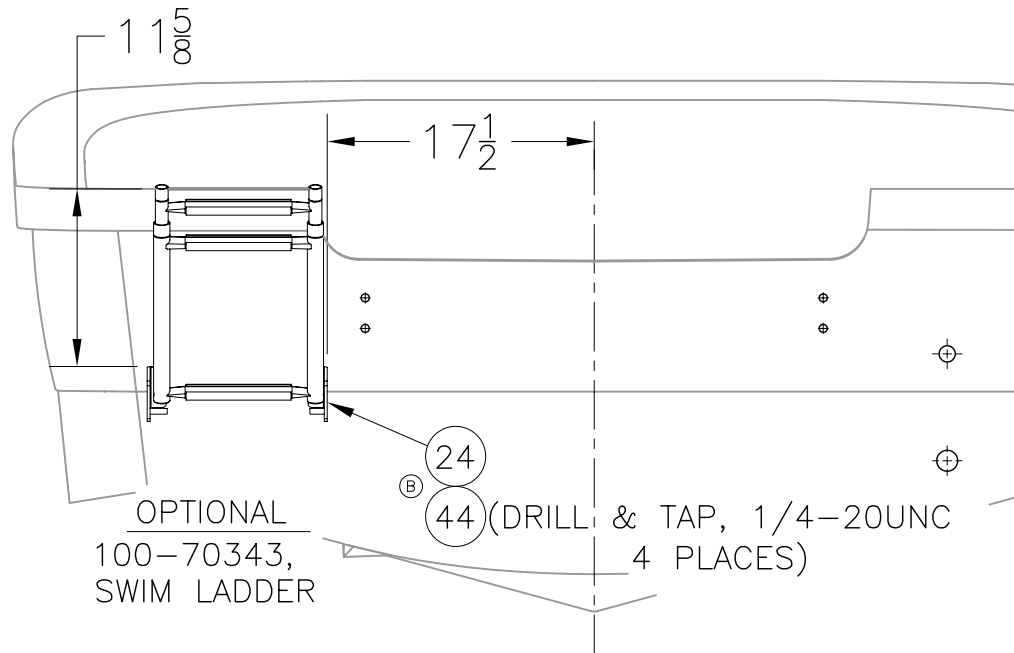
DWG. NO:
06151

REV.
G

CURRENT ECD
051171



BOW



OPTIONAL
100-70343,
SWIM LADDER

24
44 (DRILL & TAP, 1/4-20UNC
4 PLACES)

150MT TRANSOM VIEW

(SEE SHT. 5 FOR LADDER STRAP
RECEIVER MTG.)



INTERPRET DIMENSIONS AND TOLERANCES PER ANSI Y 14.5
UNLESS OTHERWISE SPECIFIED DIMENSIONS ARE IN INCHES.
TOLERANCES: ANGLES = ± .5° .XXX = ± .010
.X = ± .1 X = ± 1/16
.XX = ± .03

DO NOT SCALE DRAWING

DRAWN: R.DURHAM DATE: 09/12/05 SCALE: NONE

DWG. TITLE:
HULL OUTFIT & EQUIPMENT LOCATIONS

BOAT MODEL
150MT06

MOLD NO.

INIT. REL. ECN NO:
050577

DWG. NO:
06151

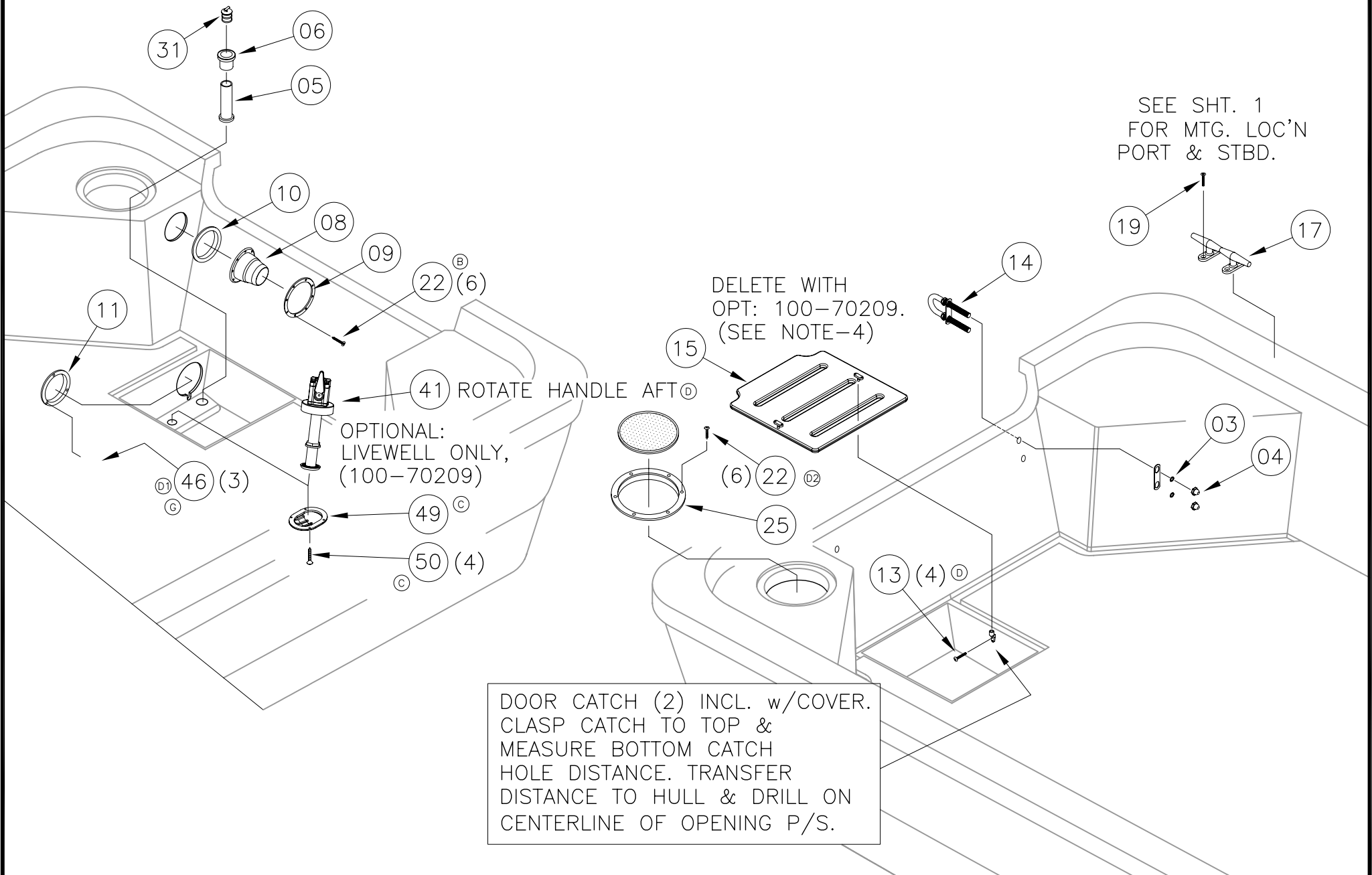
SHT. NO.
3 OF 6

THIS DOCUMENT IS THE PROPERTY OF BOSTON WHALER, INC. MFG. DEPT., EDGEWATER, FLORIDA. ALL RIGHTS ARE RESERVED. THIS DOCUMENT AND INFORMATION CONTAINED MUST NOT BE COPIED OR DISCLOSED TO OTHERS WITHOUT WRITTEN PERMISSION OF BOSTON WHALER, INC.

DWG. NO:
06151

REV.
G

CURRENT ECD
051171



DOOR CATCH (2) INCL. w/COVER. CLASP CATCH TO TOP & MEASURE BOTTOM CATCH HOLE DISTANCE. TRANSFER DISTANCE TO HULL & DRILL ON CENTERLINE OF OPENING P/S.



INTERPRET DIMENSIONS AND TOLERANCES PER ANSI Y 14.5 UNLESS OTHERWISE SPECIFIED DIMENSIONS ARE IN INCHES.
TOLERANCES: ANGLES = ± .5° .XXX = ± .010
.X = ± .1 X = ± 1/16
.XX = ± .03
DO NOT SCALE DRAWING

DRAWN: R.DURHAM DATE: 09/12/05 SCALE: NONE
DWG. TITLE: HULL OUTFIT & EQUIPMENT LOCATIONS

BOAT MODEL 150MT06
INIT. REL. ECN NO: 050577

MOLD NO.
DWG. NO: 06151

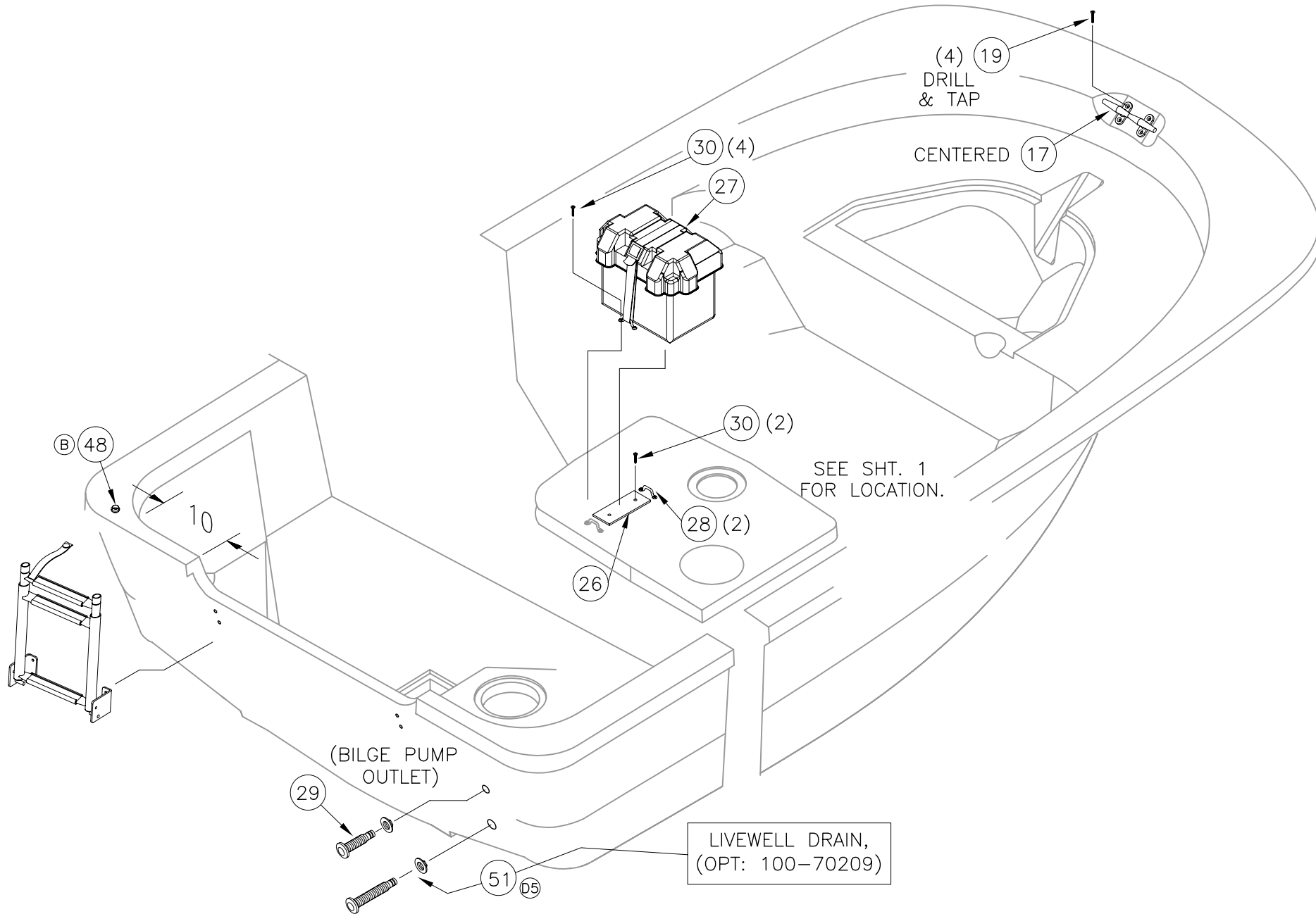
SHT. NO. 4 OF 6

THIS DOCUMENT IS THE PROPERTY OF BOSTON WHALER, INC. MFG. DEPT., EDGEWATER, FLORIDA. ALL RIGHTS ARE RESERVED. THIS DOCUMENT AND INFORMATION CONTAINED MUST NOT BE COPIED OR DISCLOSED TO OTHERS WITHOUT WRITTEN PERMISSION OF BOSTON WHALER, INC.

DWG. NO:
06151

REV.
G

CURRENT ECD
051171



INTERPRET DIMENSIONS AND TOLERANCES PER ANSI Y 14.5 UNLESS OTHERWISE SPECIFIED DIMENSIONS ARE IN INCHES.
TOLERANCES: ANGLES = ± .5° .XXX = ± .010
.X = ± .1 X = ± 1/16
.XX = ± .03
DO NOT SCALE DRAWING

DRAWN: R.DURHAM

DATE: 09/12/05

SCALE: NONE

BOAT MODEL
150MT06

MOLD NO.

DWG. TITLE:

HULL OUTFIT & EQUIPMENT LOCATIONS

INIT. REL. ECN NO:
050577

DWG. NO:
06151

SHT. NO.

5 OF 6


PARTS LIST

ITEM	QTY		U/M	DESCRIPTION	B.W.I. NO.
	STD	OPT			
1	1	-	EA.	EYE, BOW 1/2"X 6" SS	0995472
2	1	-	EA.	LIFT RING, BW-03 BOW EYE NUT 1/2" SS	1750950
3	5	-	EA.	WASHER, LOCK/SPLIT 1/2" SC	1326214
4	5	-	EA.	NUT, ACORN #1/2"-13 SC	1662402
5	2	-	EA.	THRU-HULL, PVC PRESS-FIT	1042084
6	2	-	EA.	NUT, PVC RETAINING THRU-HULL	1042068
7	1	-	EA.	SCREW, TAPPING #10A X 1.5" PPH SC	1010610
8	1	-	EA.	BOOT, CABLE 3" BLK	1043223
9	1	-	EA.	BOOT, CABLE RING 3" BLK	1043330
10	1	-	EA.	GROMMET, CABLE BOOT 3" BLK	1574839
11	1	-	EA.	GROMMET, VENT HOSE 3" BLK	1580810
12	1	-	EA.	PUMP, BILGE 500GPH SAHARA	1760963
13	7	-	EA.	SCREW, TAPPING #6A x 3/4" PTH SC	1010917
14	2	-	EA.	EYE, BOW 1/2" x 3-7/16" SS	0126557
15	1	-	EA.	COVER, HDPE BW150MT-06 BILGE SUMP	1811002
16	1	-	EA.	COVER, ABS BW140/160DA-99 7.75" POUR HOLE WHT	1210756
17	3	-	EA.	CLEAT, 8" 4-BOLT SS	0291658
18	1	-	EA.	CHOCK, BOW BW-03 W/BOLLARDS SS	1748820
19	12	-	EA.	SCREW, MACHINE #1/4-20 X 1.25" PFH SC	1213289
20	2	-	EA.	HINGE, DOOR SS 1.5"X 3" THINLINE	1617323
21	1	-	EA.	ANCHOR LOCKER COVER SUB- ASSY.	09402
22	12	6	EA.	SCREW, TAPPING #10A X 3/4" PTH SC	1008762
23	6	-	EA.	RIVET, POP/BLIND #3/16 X 5/8" ALUM	0189415
24	-	1	EA.	LADDER, BW-06 SWIM 3-STEP TELESCOP W/SNAP	1816564
25	1	-	EA.	PLATE, DECK ACCESS 6" PRY-OUT SAND	1447432
26	1	-	EA.	CLEAT, HDPE BW-02 BATTERY BOX WHT	1618602
27	1	-	EA.	HOLDER, BATTERY GR24 FULLY ENCL	0650598
28	2	-	EA.	BRACKET, BW-97 BATT HOLDDOWN 1.25"CHR/PLT	1042837
29	1	-	EA.	THRU-HULL, PLAS 3/4"X 4 1/2"X 6" WHT	1815849
30	6	-	EA.	SCREW, TAPPING #8A X 1" POH SC	1213065
31	2	-	EA.	PLUG, BRASS 1" DRAIN TURN-TITE	0133371
32	1	-	EA.	DRAIN, 1" IMPACT W/BARB BLK	1041888
33	3	-	EA.	SCREW, MACHINE #1/4-20 X 2.5" PFH SC	1326156
34	7	-	EA.	SCREW, MACHINE #10-24 X 3/4" POH SC	1008440
35	6	-	EA.	NUT, BBL #10-24 X 3/8" FH	1040187
36	4	-	EA.	SCREW, TAPPING #10A X 1" POH SC	1008507
37	2	-	EA.	SCREW, MACHINE #6-32 X 1" PPH SC	1008671
38	.75	-	FT.	HOSE, CONDUIT/SPLIT 1/4" FLAME RETARDANT	1501808
39	1	-	EA.	NUT, BBL #10-24 X 3/8" TH CHR/BR	1040211
40	1	-	EA.	WASHER, FLAT #10 SC	1260751
41	-	1	EA.	VALVE, MARELON BALL 3/4" W/MUSHROOM THRU-HULL	1815493
42	2	-	EA.	CLAMP, HOSE #10 1/2"-1 1/8" SS .505	0263954
43	0	-	FT.	HOSE, WATER 3/4" BLK REINF PVC	1042100
44	-	4	EA.	SCREW, MACHINE #1/4-20 X 2" PPH SC	1008614
45	2	-	EA.	COVER, CLAMP END PROT 1/2"L X .045"X .465"RED	0830968
46	6	-	EA.	RIVET, POP/BLIND #1/8 X 1/4" ALUM	1007855
47	-	2	EA.	SCREW TAPPING #10A x 1" PTH SC	1008739
48	-	1	EA.	SNAP STUD, W/#8 X 3/8" PH BR/NI/SS	203786
49	-	1	EA.	STRAINER, MARELON 3/4" SCREEN ONLY	0995589
50	-	4	EA.	SCREW, TAPPING #8A x 3/4" POH SC	1213057
51	-	1	EA.	THRU-HULL, PLAS 1 1/8"X 4.75" W/NUT WHT	1816729

DWG. NO. **06151** REV. **G** CURRENT ECD **051171**

THIS DOCUMENT IS THE PROPERTY OF BOSTON WHALER, INC. MFG. DEPT. EDGEWATER, FLORIDA. ALL RIGHTS ARE RESERVED. THIS DOCUMENT AND INFORMATION CONTAINED MUST NOT BE COPIED OR DISCLOSED TO OTHERS WITHOUT WRITTEN PERMISSION OF BOSTON WHALER, INC.

(D) (D) (D) (B) (C) (B) (D) (B) (C) (B) (B) (C) (B) (B) (C) (B) (D) (C) (C) (D)

 <p>BOSTON WHALER PRODUCT DEV. & MFG. ENGINEERING GROUP</p>	<p>INTERPRET DIMENSIONS AND TOLERANCES PER ANSI Y 14.5 UNLESS OTHERWISE SPECIFIED DIMENSIONS ARE IN INCHES.</p> <p>TOLERANCES: ANGLES = ± .5° .XXX = ± .010 X = ± .1 X = ± 1/16 .XX = ± .03 .X = ± .010</p> <p style="text-align: right;">DO NOT SCALE DRAWING</p>	<p>DRAWN: R. DURHAM DATE: 09/30/05 SCALE: NONE</p> <p>BOAT MODEL: 150MT06</p> <p>INIT. REL. ECN NO.: 050577</p>	<p>MOLD NO.:</p> <p>DWG. NO.: 06151</p>	<p>SHT. NO. 6 of 6</p>
HULL OUTFIT & EQUIPMENT LOCATIONS				