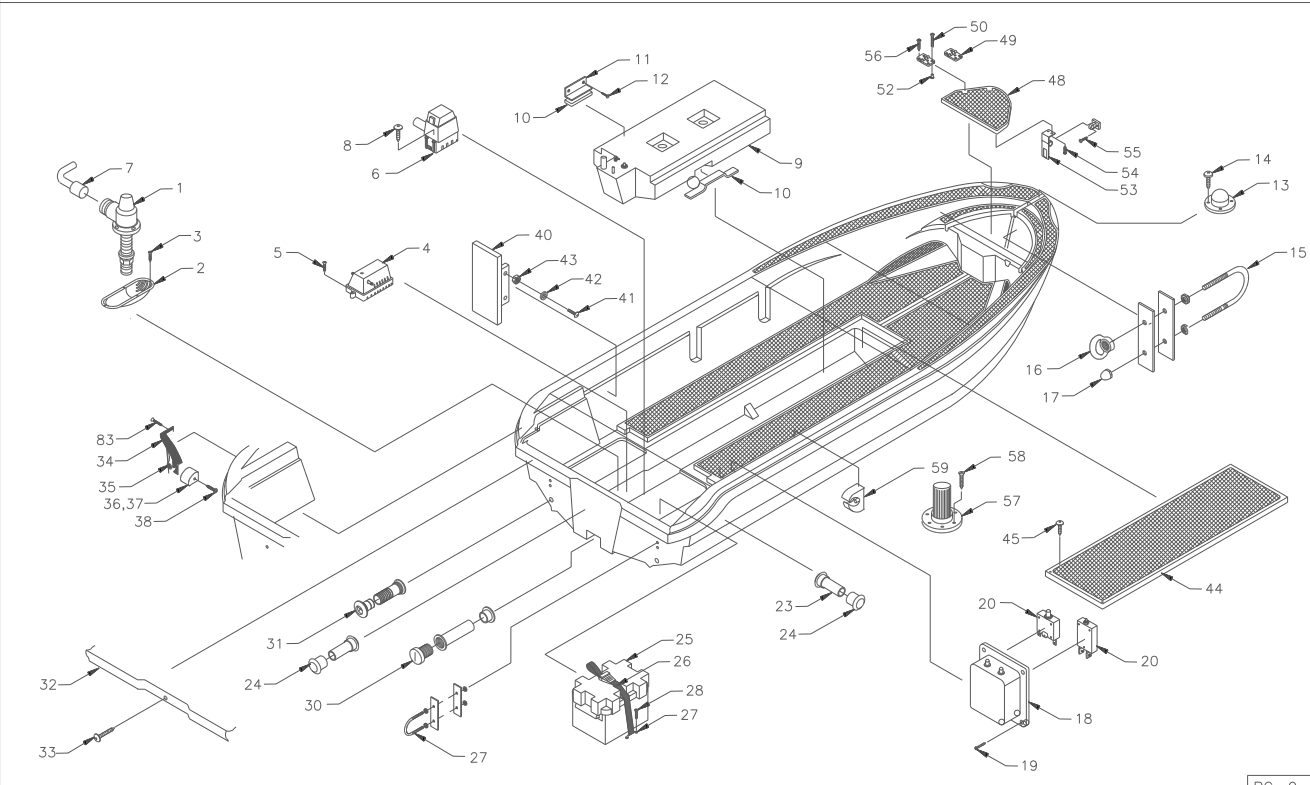


18' VENTURA HULL ASSEMBLY

11/13/97  
File Name: 18VHULL.dwg  
Production Year: 1998



18' VENTURA HULL ASSY.

11/13/98  
File Name: 18VHULL.dwg  
Production Year: 1998

Det	P/N	Qty	Descr.
1	1031335	1	PUMP, LIVEWELL AER THREADED
2	0995589	1	STRAINER, MARELON 3/4" SCRNB
3	1010362	3	SCR, TAP#6A X 1/2" PTH
4	0989335	1	SWITCH, FLOAT RULE W/CVR
5	1008556	2	SCR, TAP#6A X 1.25" POH
6	0273003	1	PUMP, BILGE 1000GPH
7	0995571	1	ELBOW, MARELON 3/4" X 3/4"
8	1008408	2	SCR, TAP#8A X 3/4" PPH
9	1071125	1	TANK, FUEL 65GAL
10	1042449	4	RUB/PAD FUEL TANK 1/4" X 2"
11	1030469	4	TANK, BRKT 2" X 2" X 6"
12	1008697	8	SCR, TAP#14A X 1.5" PPH
13	0860734	1	LIGHT, NAV BOW 2 3/8" X 7"
14	1010636	4	SCR, TAP#14A X 1" PPH
15	0995472	1	EYE, BOW 1/2" X 6"
16	1035245	1	LIFT RING, BOW EYE NUT 1/2"
17	1007756	1	NUT, ACORN #1/2-13
18	1037530	1	HARNES BOX
19	1010925	4	SCR, TAP# 8A X 5/8" PTH
20	0670463	1	BRKR, MANUAL RESET 10A
21	0365775	1	BRKR, PUSH BUTTON 30A
22	1066547	1	BOOT, RESET BRKR CLR
23	1042084	4	THRU-HULL, PVC PRESS FIT
24	1042068	4	NUT, PVC RETAIN THRU-HULL
25	0650598	1	HOLDER/BATT FULLY ENCLOSED
26	0871004	1	UPH PARTS, BUCKLE 1" REL
27	1042837	2	BRKT, BATT HOLDDOWN 1.25"
28	1010925	4	SCR, TAP#8A X 5/8" PTH
29	0126557	2	EYE, BOW 1/2" X 3 7/16"
30	0996017	1	PLUG TUBE, W/PLUG/O RING
31	0628081	2	THRU-HULL, PLUS 2" SCUP W/FLAP
32	1040948	1	TRIM, VINYL RIGID 1" X 1.5" BLK
33	1008754	3	SCR, TAP#10A X 1" PTH
34	1060714	1	RUBRAIL
35	1060706	1	INSERT RUBRAIL
36	1086594	1	CAP, RUBRAIL PORT
37	1086586	1	CAP, RUBRAIL STBD
38	1008754	2	SCR, TAP#10A X 2" PTH
39	1090000	1	PANEL, HDPE CLSOUT PORT
40	1090018	1	PANEL, HDPE CLSOUT STBD
41	1008598	4	SCR, MACH#1/4-20 X 1.5" PPH
42	0152918	4	WASHER, FLAT#10
43	1009786	4	NUT, LOCK #1/4-20
44	22J72900	1	COVER, FUEL TANK
45	1008754	18	SCR, TAP#10A X 2" PTH
46	1068642	1	ACCESS, PLATE, POLY PROP TWIST OUT 6"
47	0192047	6	RVT, POP/BLIND #1/8 X 3/8" AL
48	22J72800	1	COVER, ANCHOR LCKR
49	0995159	2	HINGE, DOOR 1.5" X 3"
50	1008432	6	SCR, MACH#10-24 X 1/2" POH
51	0189365	6	WASHER, FLAT#1/4"
52	1040187	6	NUT, BBRL#10-24 X 3/8"
53	0995134	1	HASP, SWIVEL MNT
54	1008812	2	SCR, TAP#6A X 1/2" PTH
55	1010362	2	SCR, TAP#6A X 1/2" PPH
56	1008507	4	SCR, TAP#10A X 1" POH
57	1027200	2	PEDESTAL, ALUM 9.5" FLUTED
58	1009950	12	SCR, TAP#1/4-20 X 1" PPH
59	0590646	2	CLIP, BLK STORAGE POLE