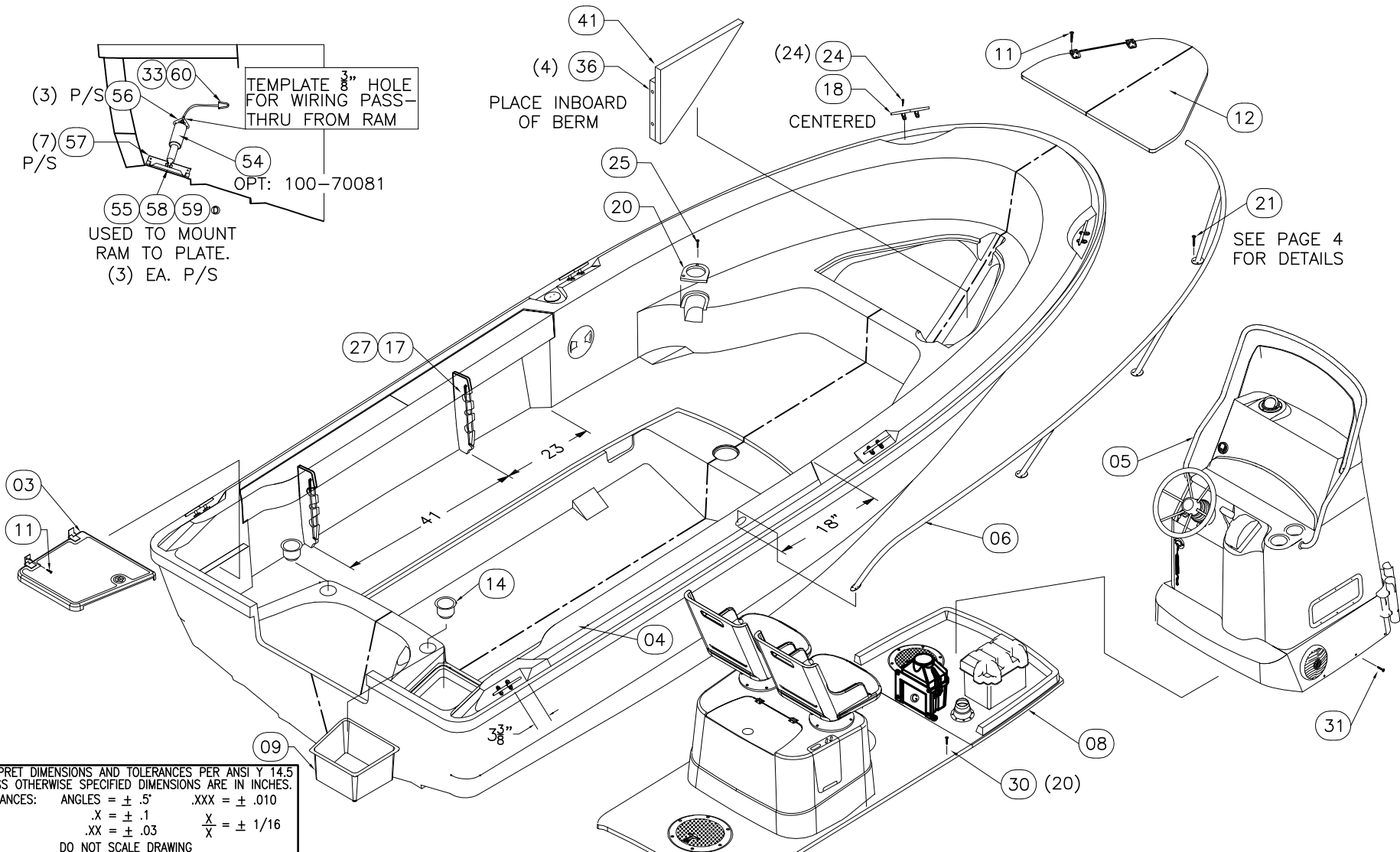


THIS DOCUMENT IS THE PROPERTY OF BOSTON WHALER, INC. MFG. DEPT., EDGEWATER, FLORIDA. ALL RIGHTS ARE RESERVED. THIS DOCUMENT AND INFORMATION CONTAINED MUST NOT BE COPIED OR DISCLOSED TO OTHERS WITHOUT WRITTEN PERMISSION OF BOSTON WHALER, INC.

DWG. NO: 06151	REV. 1	CURRENT ECD 09056014
-------------------	-----------	-------------------------

REVISIONS					
REV.	DESCR.	BY	DATE	APPVD.	ECN NO.
H	CHANGED PT#1008630 TO 1008812	TJ	07/28/08	AJ	08045111
I	SHEET 3: DELETED OPT 100-70335, SWIM PLATFORM NOW STD.	SBL	06/02/09	RA	09056014

1. ALL FASTENINGS INTO THE HULL MUST BE SEALED WITH MARINE ADHESIVE, SEATED FLUSH AND HAVE NO BURRS.



INTERPRET DIMENSIONS AND TOLERANCES PER ANSI Y 14.5 UNLESS OTHERWISE SPECIFIED DIMENSIONS ARE IN INCHES.  
 TOLERANCES: ANGLES = ± .5° .XXX = ± .010  
 .X = ± .1  
 .XX = ± .03 X = ± 1/16  
 DO NOT SCALE DRAWING

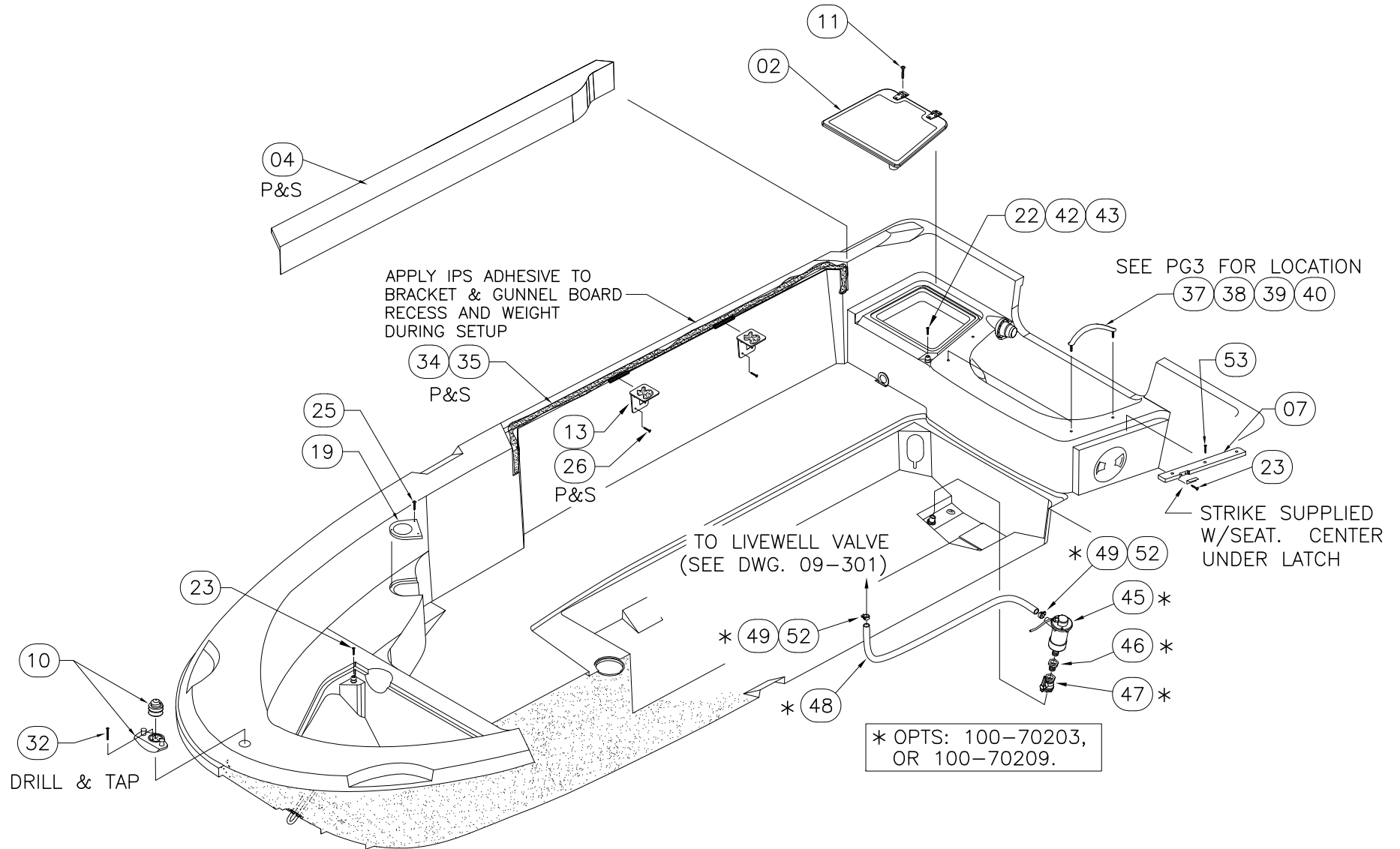
 PRODUCT DEV. & MFG. ENGINEERING GROUP	CHECKED: AD	DATE: 06/14/05	DRAWN: M.ZAFFUTO	DATE: 06/06/05	SCALE: NONE	BOAT MODEL 1900R	MOLD NO.	
	APPD: KR	DATE: 06/15/05	DWG. TITLE: HULL OUTFIT AND EQUIPMENT LOCATIONS			INIT. REL. ECN NO: 0505102	DWG. NO: 06151	SHT. NO. 1 of 5
	DESIGN: VPK	DATE: 06/15/05						
	INT. ENG: MG	DATE: 06/15/05						

THIS DOCUMENT IS THE PROPERTY OF BOSTON WHALER, INC. MFG. DEPT., EDGEWATER, FLORIDA. ALL RIGHTS ARE RESERVED. THIS DOCUMENT AND INFORMATION CONTAINED MUST NOT BE COPIED OR DISCLOSED TO OTHERS WITHOUT WRITTEN PERMISSION OF BOSTON WHALER, INC.

DWG. NO:  
06151

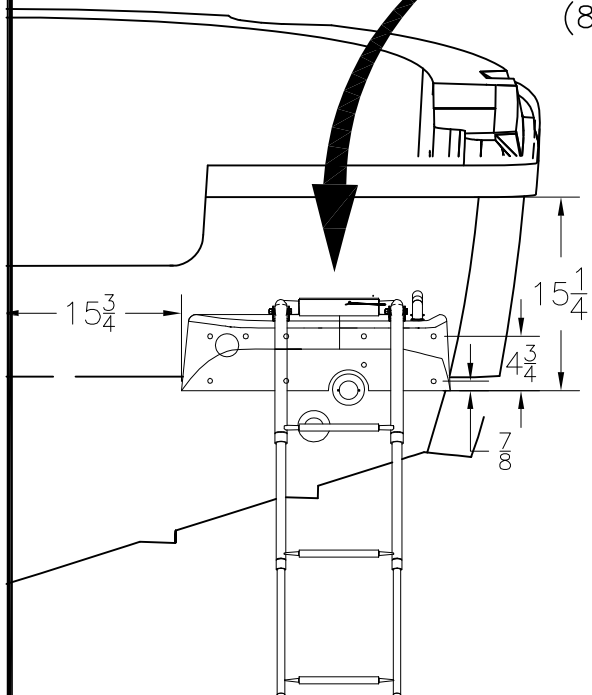
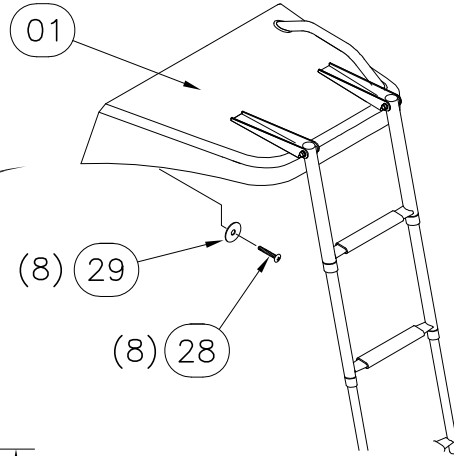
REV.  
1

CURRENT ECD  
09056014



① SWIM PLATFORM

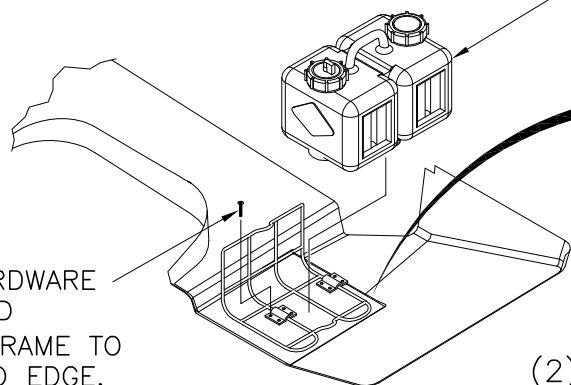
APPLY POLYURETHANE ADHESIVE TO FRONT OF PLATFORM THEN INSTALL FASTENERS.



OPT 100-70005

- ③③
- ①⑤
- ①⑥

USE HARDWARE PROVIDED PLACE FRAME TO FORWARD EDGE, OUTBOARD EDGE OF LANDING.



GRAB BAR LOCATION P&S

6 1/2

2 1/2

1 3/4

OPTIONAL LIVELWELL PUMP.

DRAIN HOSE FROM LIVELWELL, SEE DWG. 09-301.

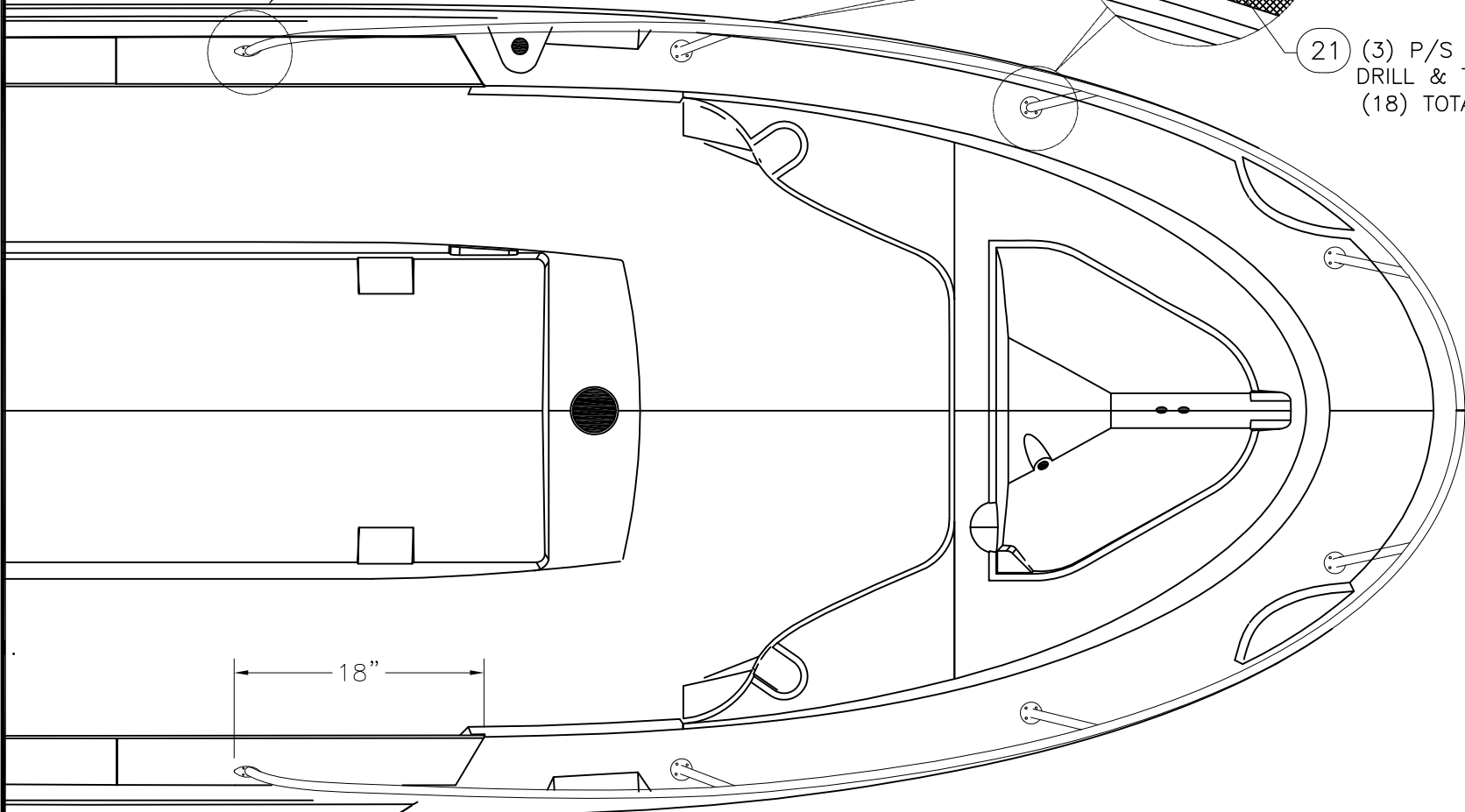
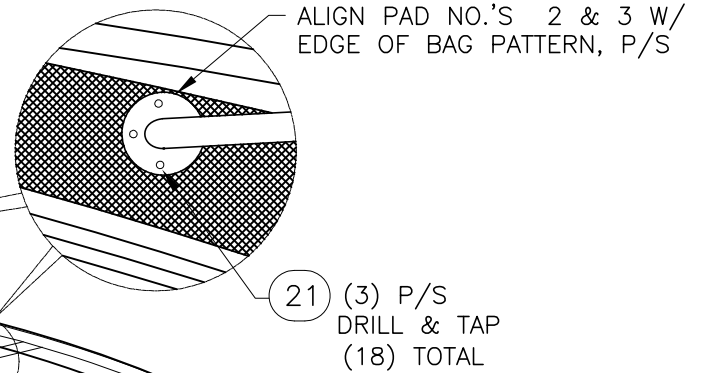
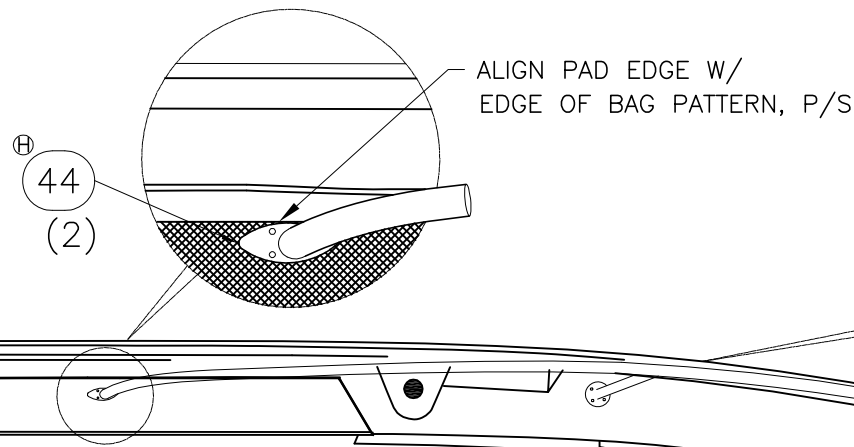
- ⑤①
- ②⑤②

THIS DOCUMENT IS THE PROPERTY OF BOSTON WHALER, INC. MFG. DEPT., EDGEWATER, FLORIDA. ALL RIGHTS ARE RESERVED. THIS DOCUMENT AND INFORMATION CONTAINED MUST NOT BE COPIED OR DISCLOSED TO OTHERS WITHOUT WRITTEN PERMISSION OF BOSTON WHALER, INC.

DWG. NO:  
06151

REV.  
1

CURRENT ECD  
09056014



INTERPRET DIMENSIONS AND TOLERANCES PER ANSI Y 14.5 UNLESS OTHERWISE SPECIFIED DIMENSIONS ARE IN INCHES.  
 TOLERANCES: ANGLES = ± .5° .XXX = ± .010  
 .X = ± .1 .X/X = ± 1/16  
 .XX = ± .03  
 DO NOT SCALE DRAWING

DRAWN: M.ZAFFUTO

DATE: 06/06/05

SCALE: NONE

BOAT MODEL

MOLD NO.

1900R

DWG. TITLE:

Hull Outfit and Equipment Locations

INIT. REL. ECN NO:  
0505102

DWG. NO:  
06151

SHT. NO.  
4 of 5

# PARTS LIST

ITEM	QTY.	DESCRIPTION	U/M	B.W./L. NO.
STD.	OPT.			
1	1	EA. SWIM PLATFORM SUB-ASSY.	EA.	09-406
2	1	EA. STBD QTR SEAT BASE SUB-ASSY	EA.	09-430
3	1	EA. PORT QTR SEAT BASE SUB-ASSY	EA.	09-431
4	2	EA. GUNNEL BOARDS SUB-ASSY	EA.	09-226
5	1	EA. CONSOLE, SUB-ASSY.	EA.	09-201
6	1	EA. RAIL, BOW BW190NT-03 SS	EA.	1745134
7	1	EA. SUPPORT, HDPE BW205EP-05 SEAT CATCH AFT PRT	EA.	1769841
8	1	EA. FUEL TANK COVER SUB-ASSY.	EA.	09-301
9	1	EA. CONTAINER, STORAGE BW190NT-03 STB QTR SEAT	EA.	1747426
10	1	EA. CHOCK, BOW BW-03 W/BOLLARDS SS	EA.	1748820
11	12	EA. SCREW, TAPPING #10A x 1" POH SC	EA.	1008507
12	1	EA. ANCHOR LOCKER LID	EA.	09-402
13	4	EA. BRACKET, ALUM BW-03 UNDER GUNNEL	EA.	1752662
14	2	EA. DRINKHOLDR, PLAS W/DRAIN DEEP XLG SZ BLK	EA.	1727419
15	1	EA. ACC PART, MERC OIL FILL KIT (DECK)	EA.	0735105
16	1	EA. TANK, OIL VRO W/HDWR W/SEND O/B 3 G	EA.	1477926
17	4	EA. ROD HOLDER, HDPE BW190NT-03 UNDR GUNL	EA.	1745136
18	6	EA. CLEAT, 8" 4-BOLT SS	EA.	0291658
19	1	EA. HOLDER, HDPE BW 190NT-03 DRINK STB	EA.	1747572
20	1	EA. HOLDER, HDPE BW 190NT-03 DRINK PRT	EA.	1748262
21	18	EA. SCREW, MACHINE #1/4-20 X 1.5" PPH SC	EA.	1008598
22	1	EA. SCREW, MACHINE #10-24 X 1.25" PPH SC	EA.	1008630
23	3	EA. SCREW, TAPPING #10A x 1" PPH SC	EA.	1213131
24	24	EA. SCREW, MACHINE #1/4-20 X 1.25" PFH SC	EA.	1213289
25	6	EA. SCREW, TAPPING #8A X 1.25" POH SC	EA.	1213073
26	16	EA. SCREW, TAPPING #14A x 1" PPH SC	EA.	1008689
27	8	EA. SCREW, TAPPING #10A X 2.5" POH SC	EA.	1008531
28	8	EA. SCREW, TAPPING #14A X 1.5" PPH SC	EA.	1008697
29	8	EA. WASHER, FENDER 1/4" X 1.25" SC	EA.	1260678
30	20	EA. SCREW, TAPPING #10A X 2" PTH SC	EA.	1008754
31	9	EA. SCREW, TAPPING #14A X 1.5" PTH SC	EA.	1010909
32	3	EA. SCREW, MACHINE #1/4-20 X 2.5" PFH SC	EA.	1326156
33	6	EA. SCREW, TAPPING #8A X 5/8" PTH SC	EA.	1010925
34	.250	GL. ADHESIVE, WELD-ON SS230HVA COMPONENT A	GL.	1831646
35	.025	GL. ADHESIVE, WELD-ON SS 218HV COMPONENT B	GL.	1555572
36	4	EA. SCREW, TAPPING #10A X 1.5" POH SC	EA.	1008515
37	2	EA. RAIL, GRAB BAUA 8 5/8" SS W/STUD	EA.	1630342
38	4	EA. WASHER, FENDER 5/16" x 1.5" SC	EA.	1326180
39	4	EA. WASHER, LOCK/SPLIT 5/16" SC	EA.	1260611
40	4	EA. NUT, HEX #5/16-18 SC	EA.	1009687
41	1	EA. BULKHD, HDPE BW190NT-03 ANCH LCKR	EA.	1747417
42	1	EA. WASHER, FLAT #10 SC	EA.	1260751
43	1	EA. NUT, HEX NYLON LOCK #10-24 SC	EA.	1007772
44	4	EA. SCREW, TAPPING #8A X 1/2" PTH SC	EA.	1008812
45	1	EA. PUMP, LIVEWELL 12V BAIT SENTRY 500GPH	EA.	1688691
46	1	EA. ADAPTER, PVC 3/4"MP T X 3/4"FP T	EA.	0168575
47	1	EA. VALVE, MARELON BALL 2-WAY 3/4"	EA.	0557959
48	0	FT. HOSE, WATER 3/4" BLK REINF PVC	FT.	1042100
49	2	EA. CLAMP, HOSE #10 1/2"-1 1/8" SS .505	EA.	0263954
50	0	FT. HOSE, SANI 1.5" BLK PVC 149 SERIES	FT.	1746048
51	2	EA. CLAMP, HOSE #24 1"-2" SS .505	EA.	0256693
52	2	EA. COVER, CLAMP END PROT 1/2"L X .045"X .465"RED	EA.	0830968
53	3	EA. SCREW, TAPPING #10 X 1.5" PFH SC	EA.	1010248
54	1	EA. TRIM TAB, ASSY 9X9 W/POTTED SW BW-05	EA.	1782251
55	6	EA. WASHER, FLAT #1/4" SC	EA.	1260769
56	6	EA. SCREW, TAPPING #14A X 1.5" PPH SC	EA.	1008697
57	14	EA. SCREW, TAPPING #14A X 1" PPH SC	EA.	1008689
58	6	EA. SCREW, MACHINE #1/4-20 X 1" PPH SC	EA.	1008580
59	6	EA. NUT, LOCK #1/4-20 SC STD PAT	EA.	1009786
60	1	EA. VENT, HDPE CLAMSHELL 7/16"X 7/8" OPENING BLK	EA.	1440650

THIS DOCUMENT IS THE PROPERTY OF BOSTON WHALER, INC. MFG. DEPT., EDGEWATER, FLORIDA. ALL RIGHTS ARE RESERVED. THIS DOCUMENT AND INFORMATION CONTAINED MUST NOT BE COPIED OR DISCLOSED TO OTHERS WITHOUT WRITTEN PERMISSION OF BOSTON WHALER, INC.

DWG. NO: 06151  
 REV. 1  
 CURRENT ECD 09056014



INTERPRET DIMENSIONS AND TOLERANCES PER ANSI Y 14.5 UNLESS OTHERWISE SPECIFIED DIMENSIONS ARE IN INCHES.  
 TOLERANCES: ANGLES = ± .5°      .XXX = ± .010  
                   .X = ± .1                    X = ± 1/16  
                   .XX = ± .03                X = ± .005  
 DO NOT SCALE DRAWING

DRAWN: M.ZAFFUTO    DATE: 06/06/05    SCALE: NONE  
 DWG. TITLE: Hull Outfit and Equipment Locations

BOAT MODEL 1900R    MOLD NO.  
 INIT. REL. ECN NO: 0505102    DWG. NO: 06151    SHT. NO. 5 of 5