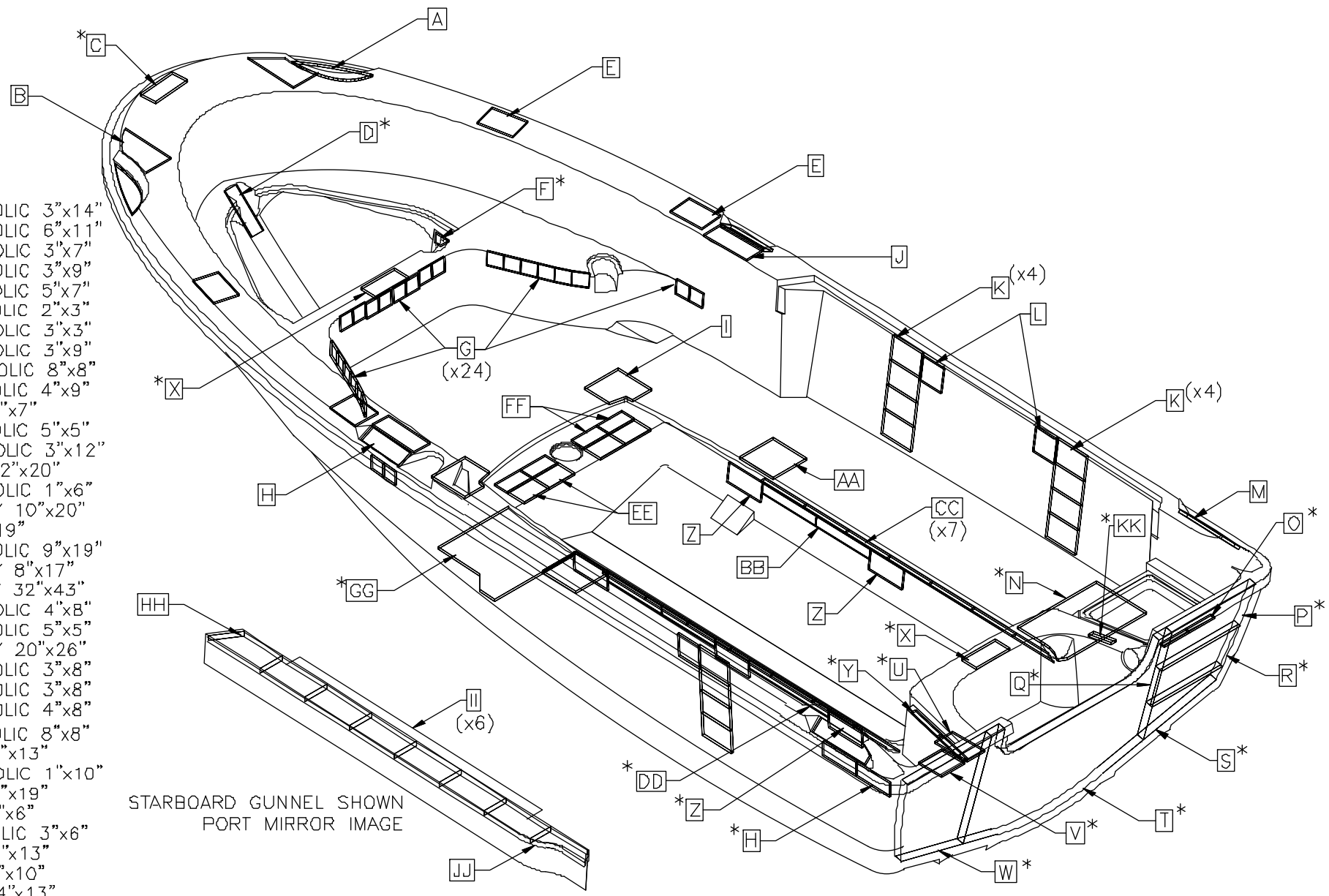


- A 1/2" PHENOLIC 3"x14"
- B 3/8" PHENOLIC 6"x11"
- C 3/8" PHENOLIC 3"x7"
- D 3/8" PHENOLIC 3"x9"
- E 3/8" PHENOLIC 5"x7"
- F 3/8" PHENOLIC 2"x3"
- G 3/8" PHENOLIC 3"x3"
- H 1/2" PHENOLIC 3"x9"
- I 1/2" PHENOLIC 8"x8"
- J 3/8" PHENOLIC 4"x9"
- K 1/2" PLY 5"x7"
- L 3/8" PHENOLIC 5"x5"
- M 1/2" PHENOLIC 3"x12"
- N 1/2" PLY 12"x20"
- O 3/8" PHENOLIC 1"x6"
- P 1-1/2" PLY 10"x20"
- Q 1" PLY 9"x19"
- R 1/2" PHENOLIC 9"x19"
- S 1-1/2" PLY 8"x17"
- T 1-1/2" PLY 32"x43"
- U 3/8" PHENOLIC 4"x8"
- V 3/8" PHENOLIC 5"x5"
- W 1-1/2" PLY 20"x26"
- X 1/2" PHENOLIC 3"x8"
- Y 3/8" PHENOLIC 3"x8"
- Z 3/8" PHENOLIC 4"x8"
- AA 1/2" PHENOLIC 8"x8"
- BB 1/2" PLY 2"x13"
- CC 3/8" PHENOLIC 1"x10"
- DD 1/2" PLY 2"x19"
- EE 1/2" PLY 4"x6"
- FF 3/8" PHENOLIC 3"x6"
- HH 1/2" PLY 4"x13"
- II 1/2" PLY 4"x10"
- JJ 1/2" PLY 4"x13"
- KK 1/2" PLY 1"x4"

STARBOARD GUNNEL SHOWN  
PORT MIRROR IMAGE



ALL ITEMS P/S EXCEPT  
WHERE NOTED BY \*,  
SOME NOT SHOWN FOR CLARITY