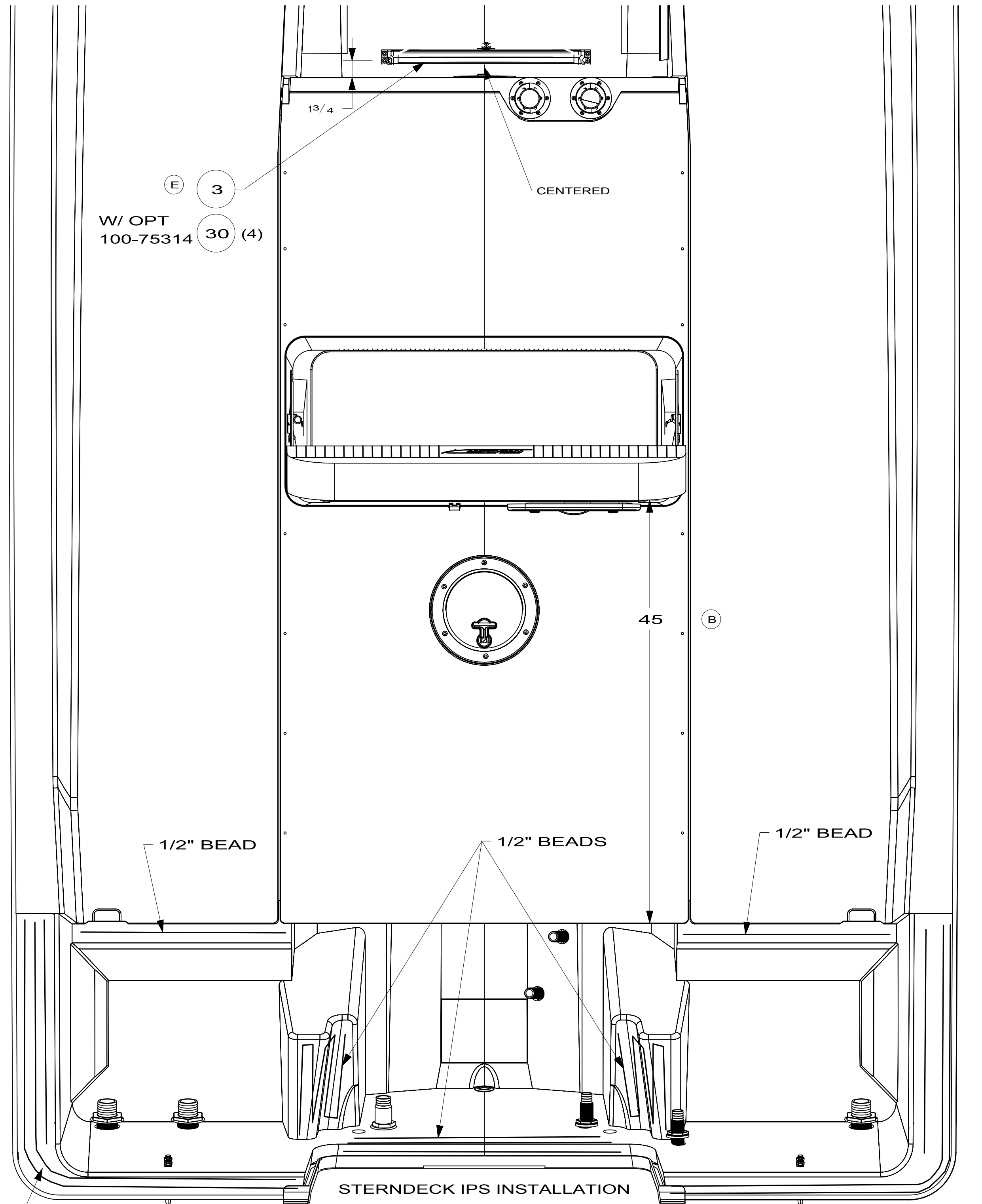
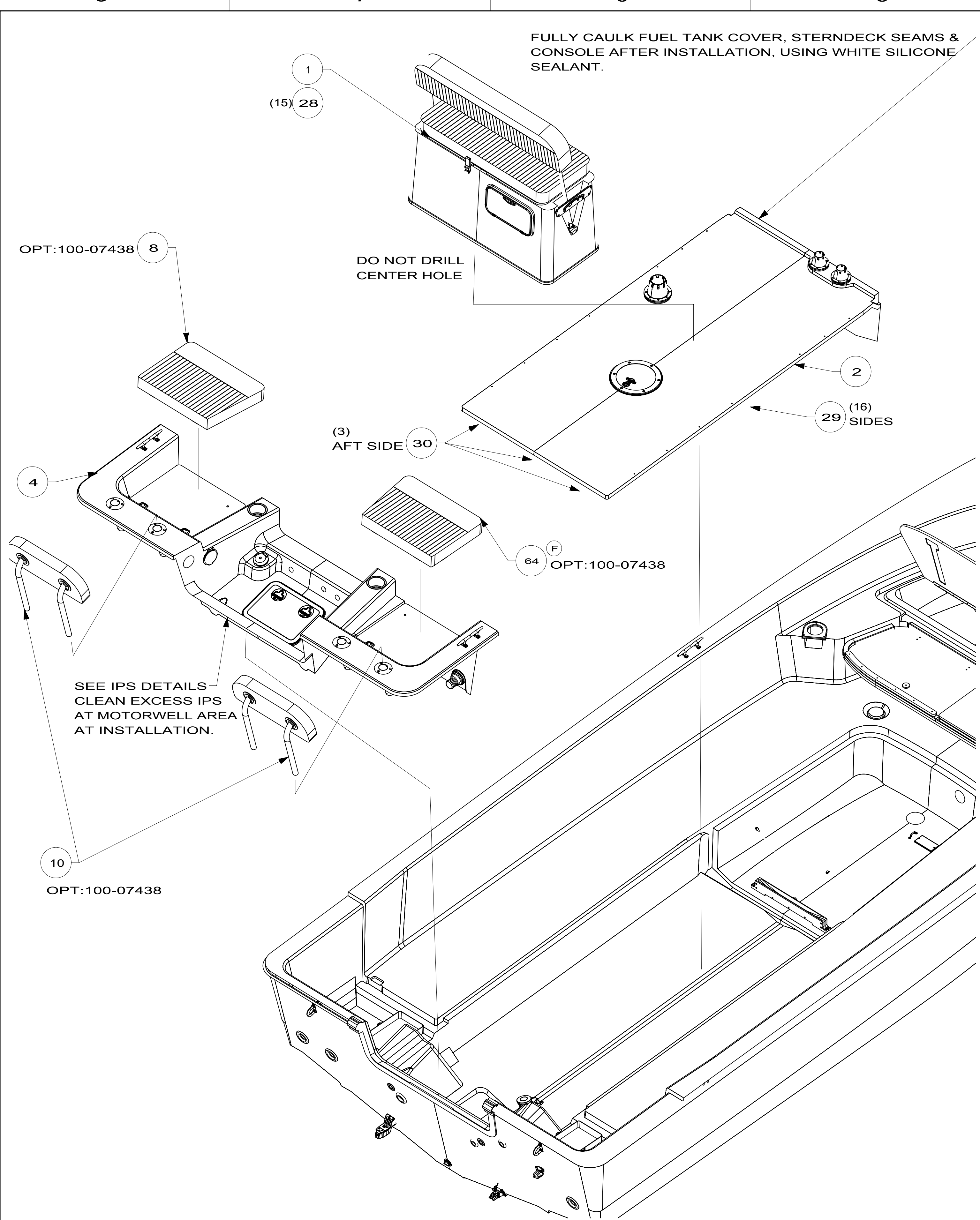


REVISION HISTORY				
REV	DESCRIPTION	SH-ZONE	DATE	ECR
F	ADDED QTY1 2072656 FOR OPT - JK		09/24/12	12098933
G	PG 5 CHANGED THE OPT: NUMBERS FOR THE TRANSDUCER - JK		01/08/13	12119178

FULLY CAULK FUEL TANK COVER, STERNDECK SEAMS & CONSOLE AFTER INSTALLATION, USING WHITE SILICONE SEALANT.



NOTES:  
 1. ALL FASTENERS SHALL BE EMBEDDED IN SEALANT.  
 2. CLEAN ALL SURFACES PRIOR TO APPLICATION OF IPS.

3/4" BEADS  
 P&S  
 IPS ITEMS 58 & 59

UNLESS OTHERWISE SPECIFIED  
 DIMENSIONS ARE IN INCHES  
 [ SECONDARY DIMS ARE IN MILLIMETERS ]  
 TOLERANCE ON ANGLE : ± 5°  
 .XX = ± .03 - .XX = ± .010 - X/X = ± 1/8  
 INTERPRET DIM AND TOL PER  
 ASME Y14.5M-1994

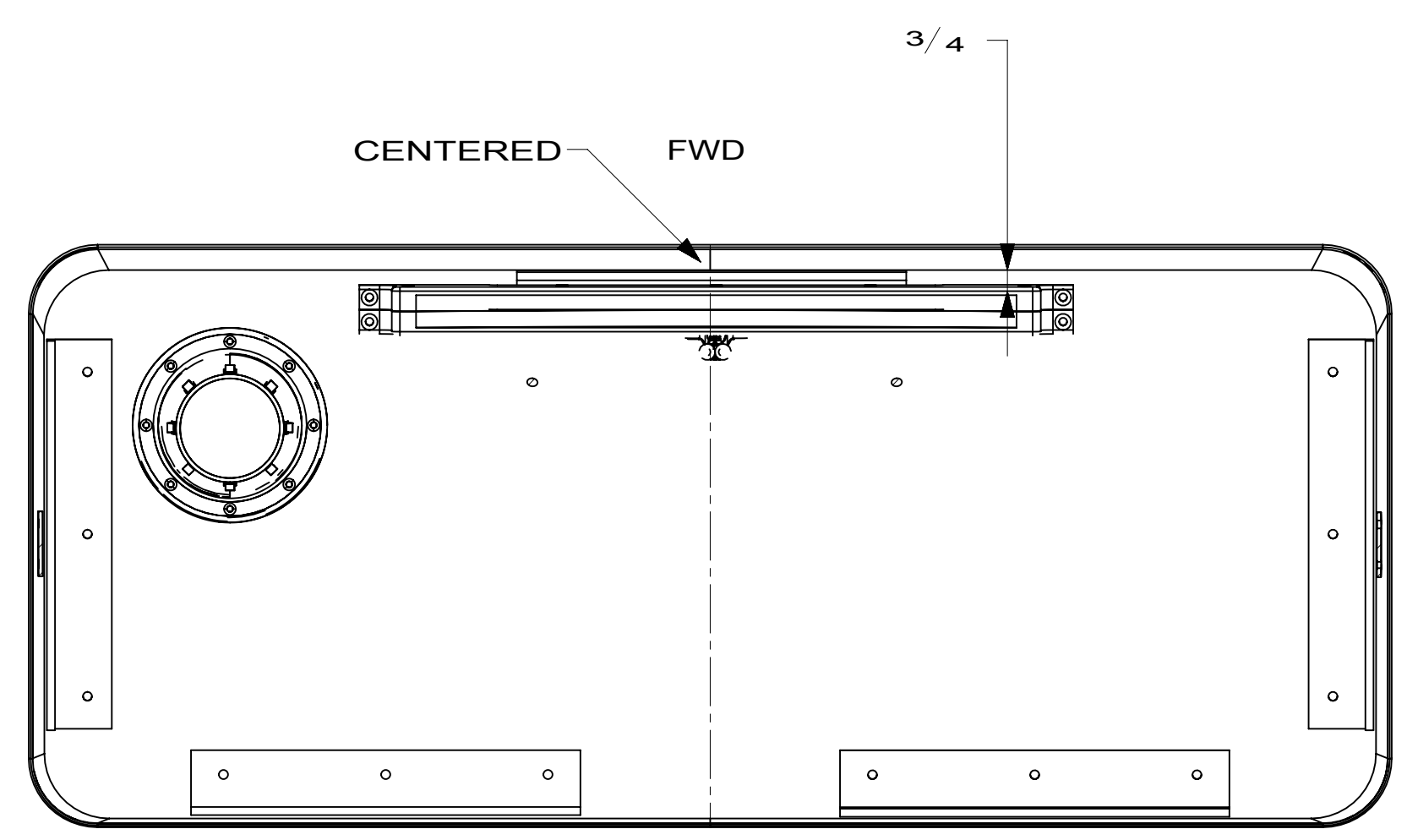
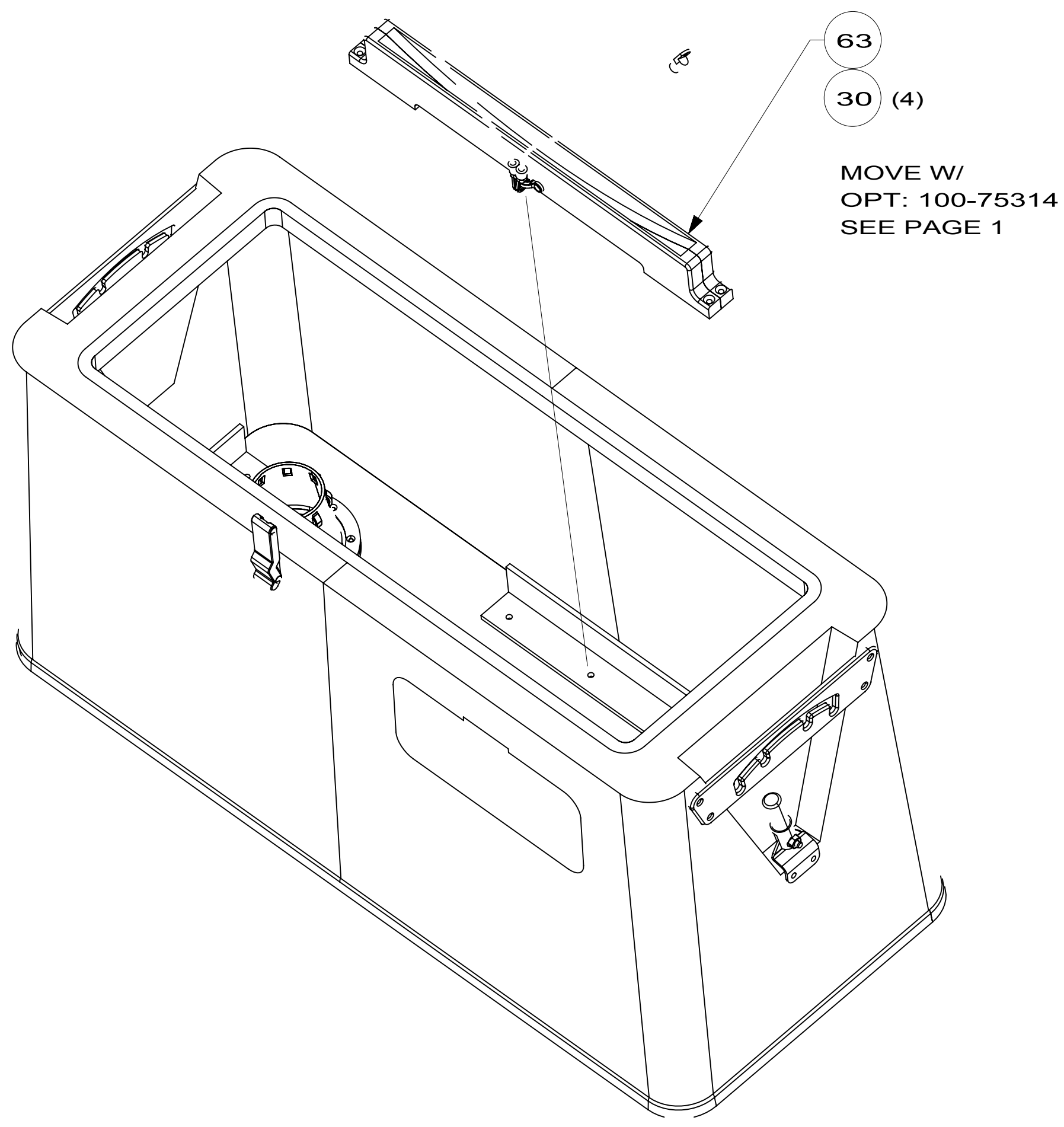
DWN 08-23-2011  
 STEVE.JERNIGAN  
 REV BY  
 TAYLOR.PERKINS  
 CHKD  
 APVD 01-09-2013  
 JAMES.KING

BRUNSWICK  
 PD&E  
 4121 S US HIGHWAY 1  
 EDGEWATER, FL 32141

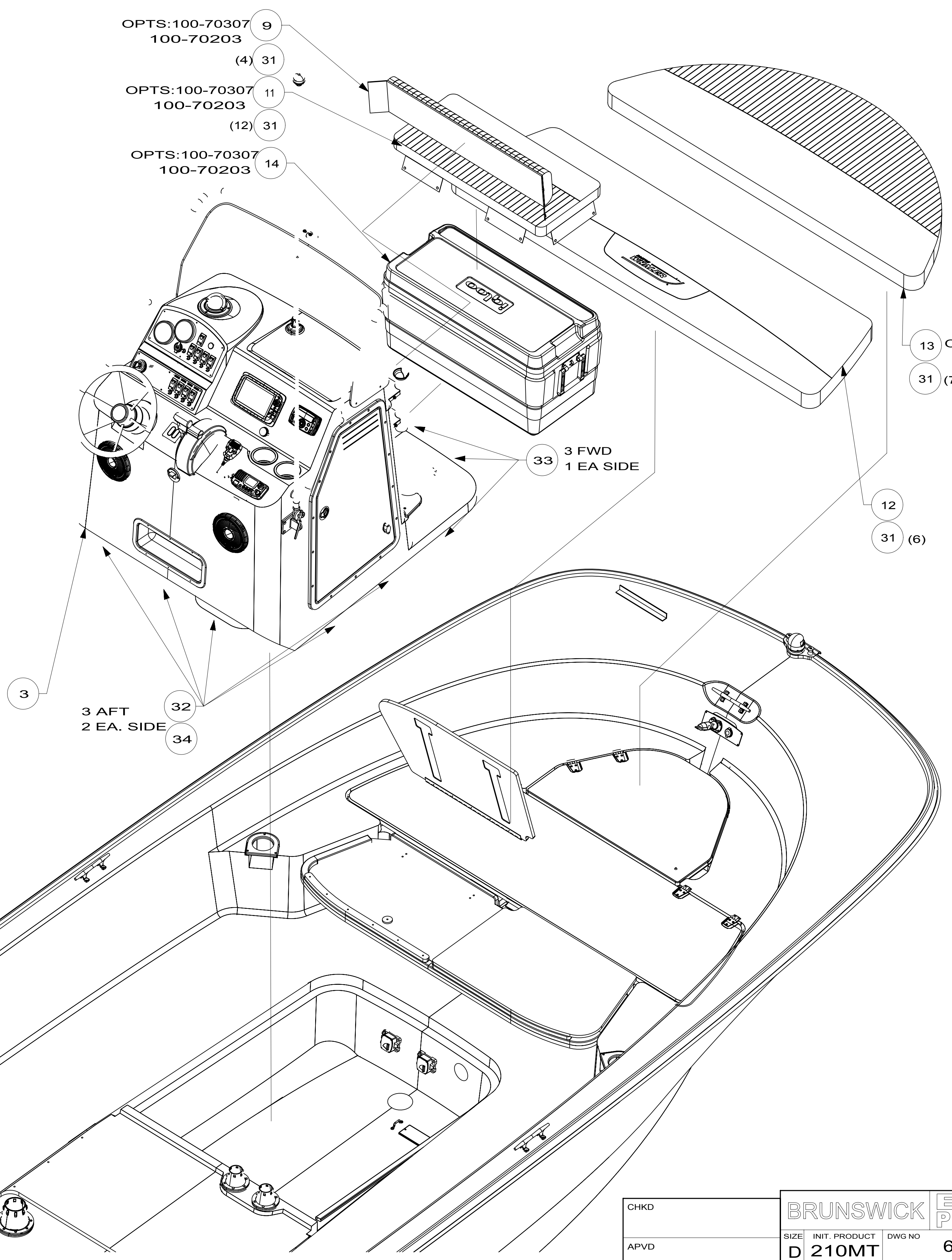
TITLE  
**FINAL ASSEMBLY**

SIZE INIT. PRODUCT DWG NO  
**D 210MT 6010-11-201**

SCALE NONE WT. - LB SHEET 1 OF 7  
 FILE: 6010-11-201-A-DWG1 TYPE: Item  
 LOC: TC TOOL: NX REV: G



**COCKPIT TABLE**  
OPT:100-70305



8

7

6

5

4

3

2

1

SPLIT RAILS

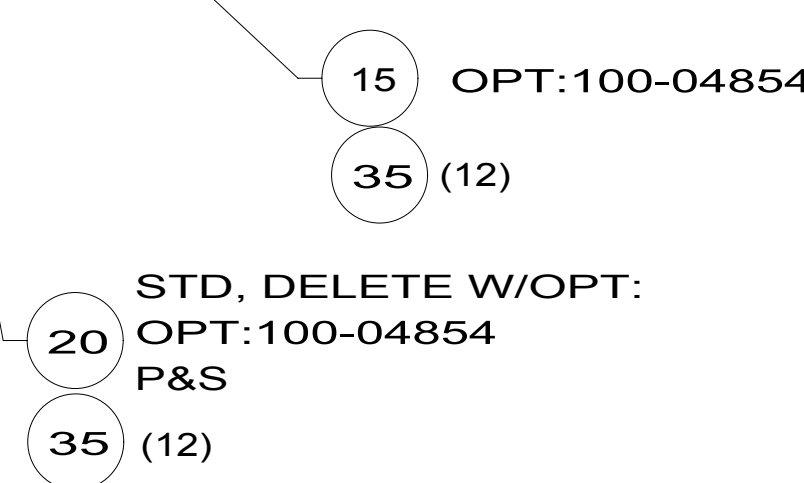
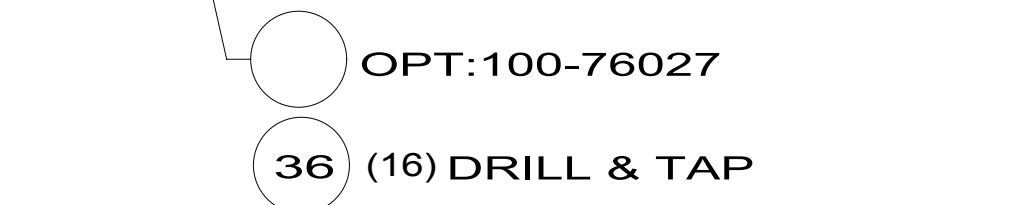
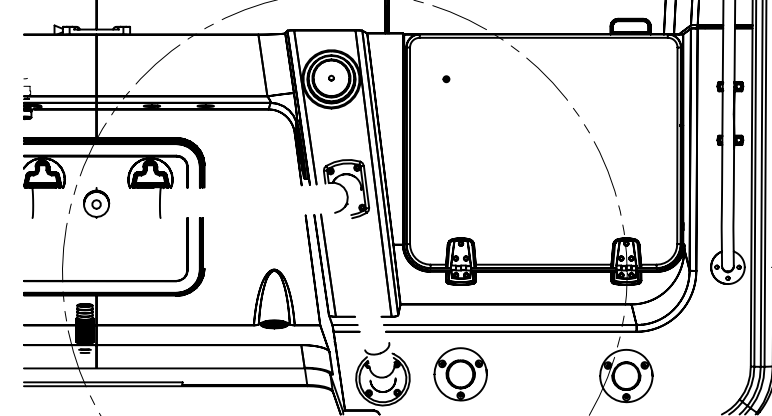
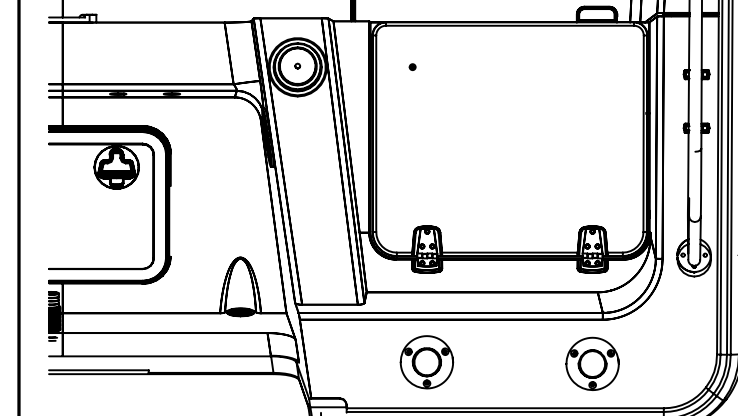
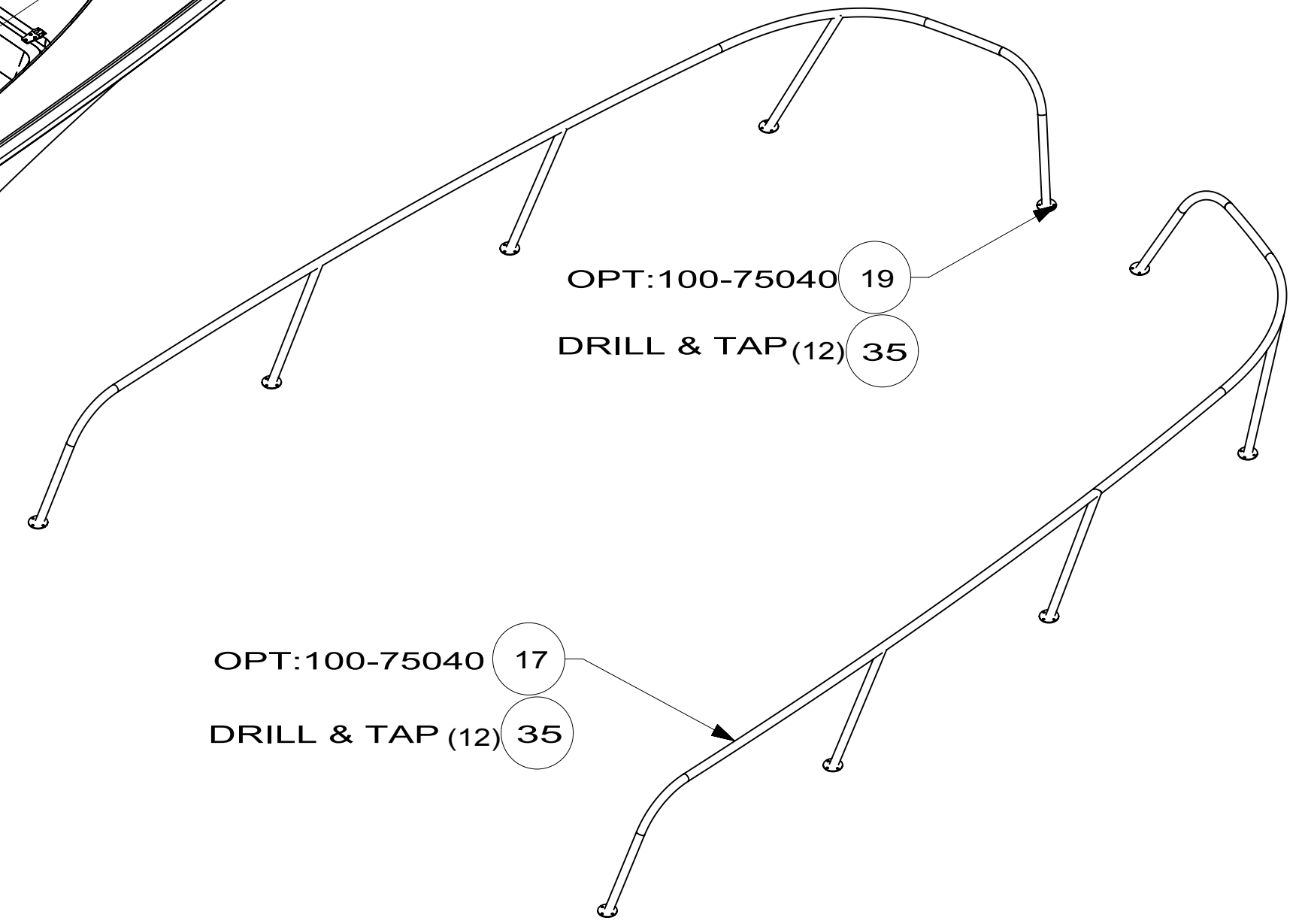
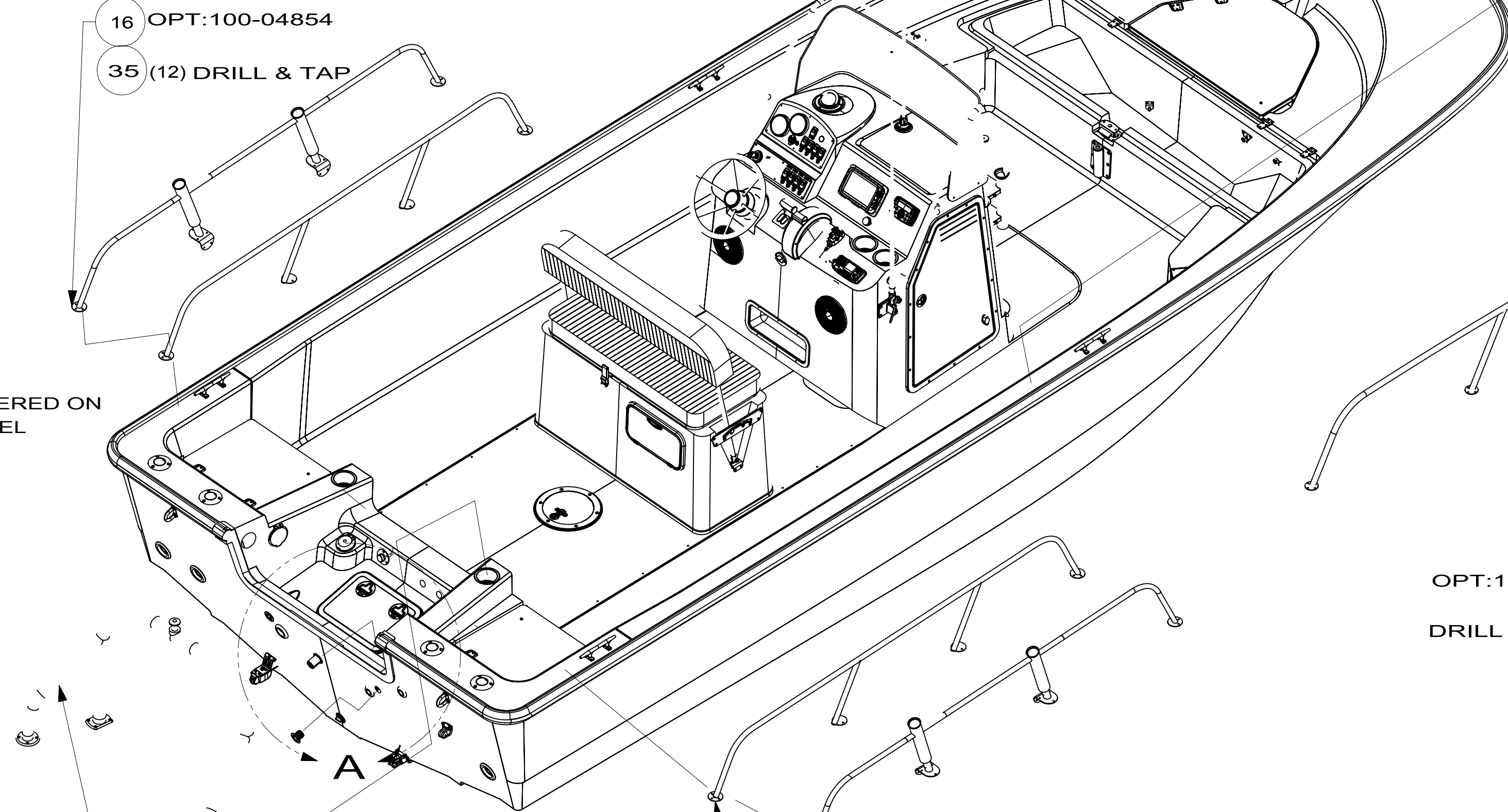
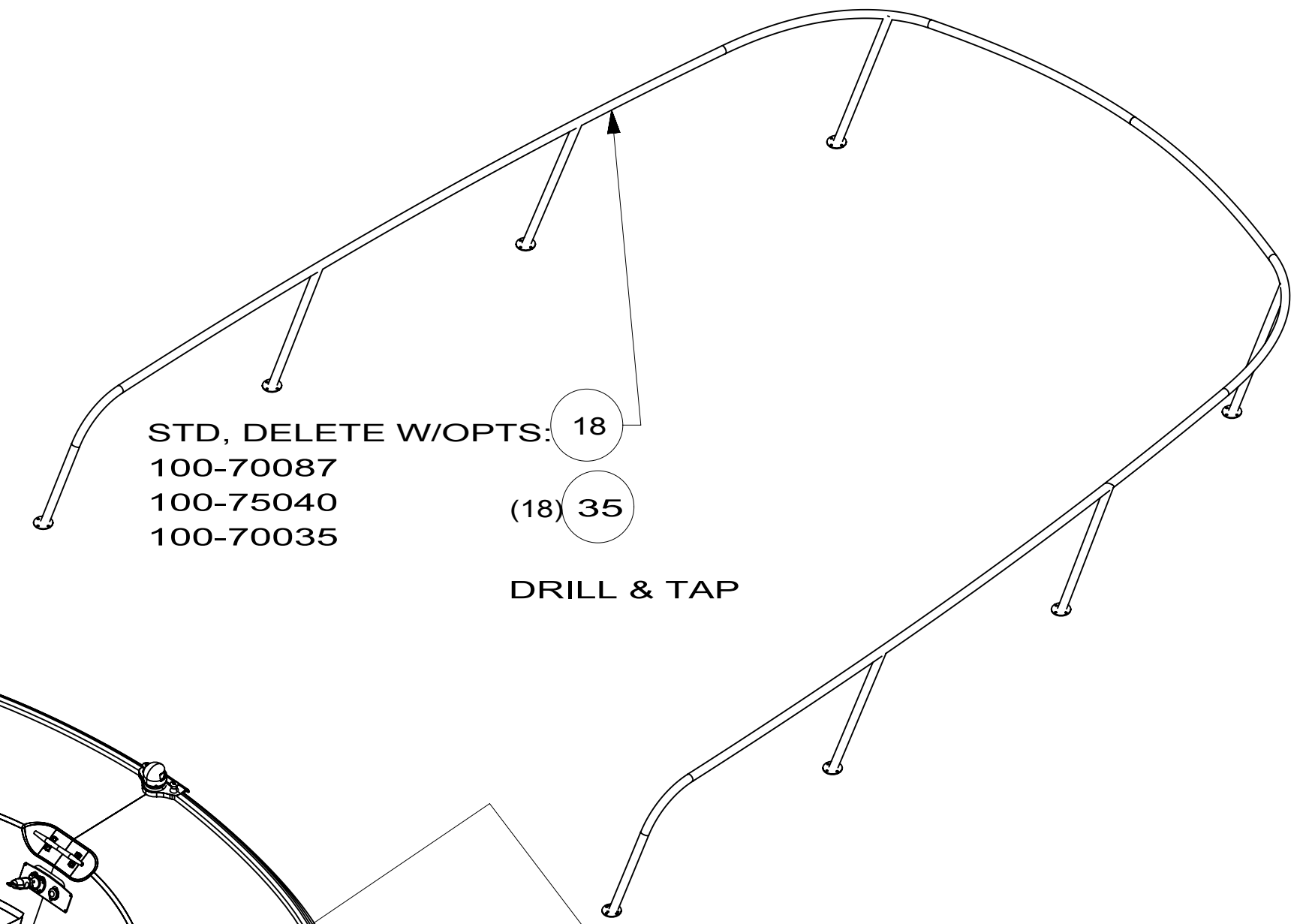
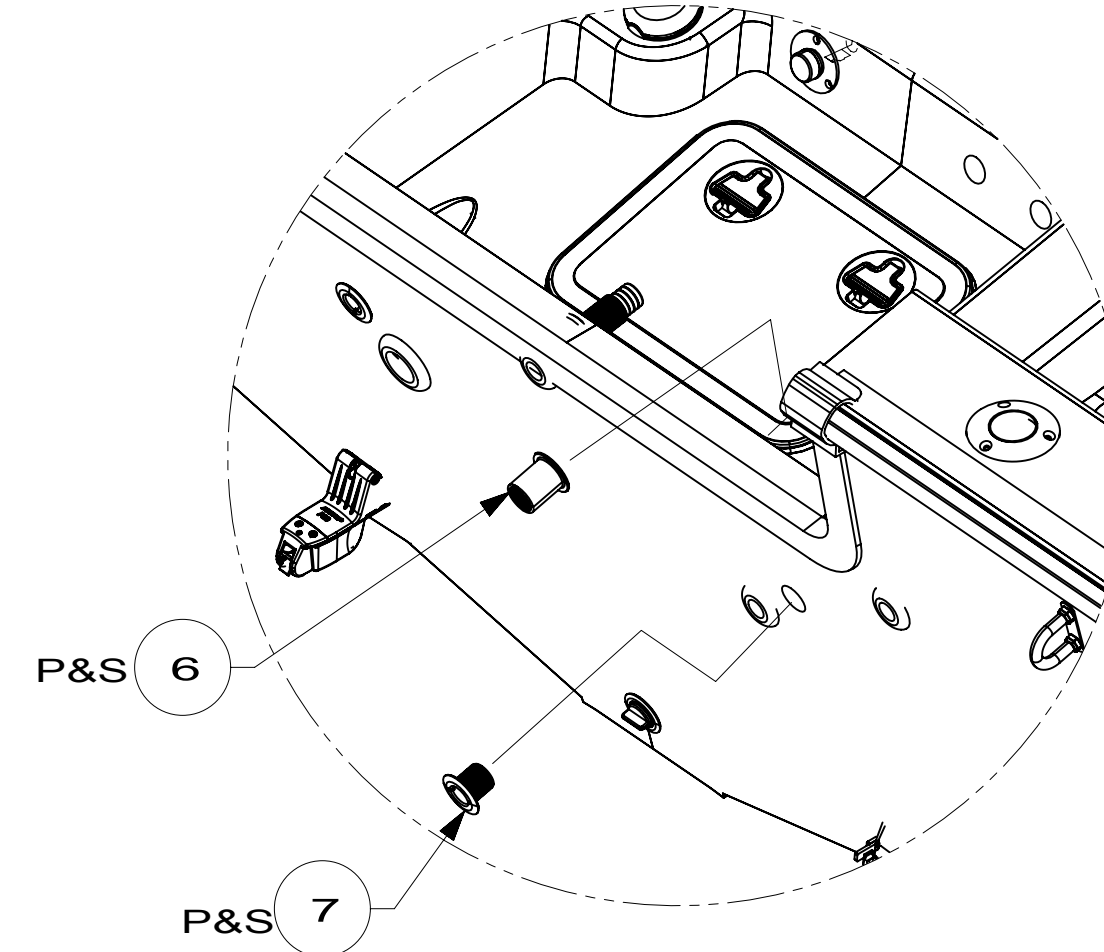
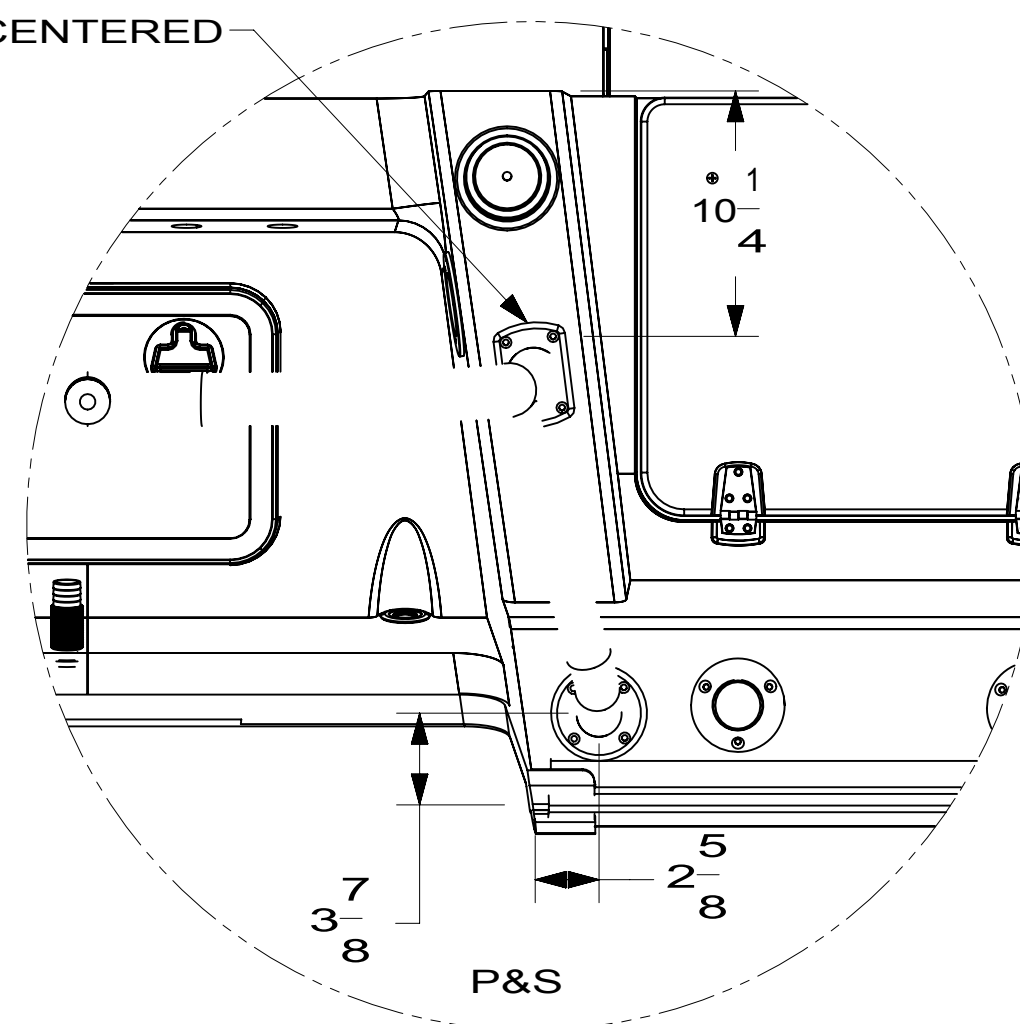
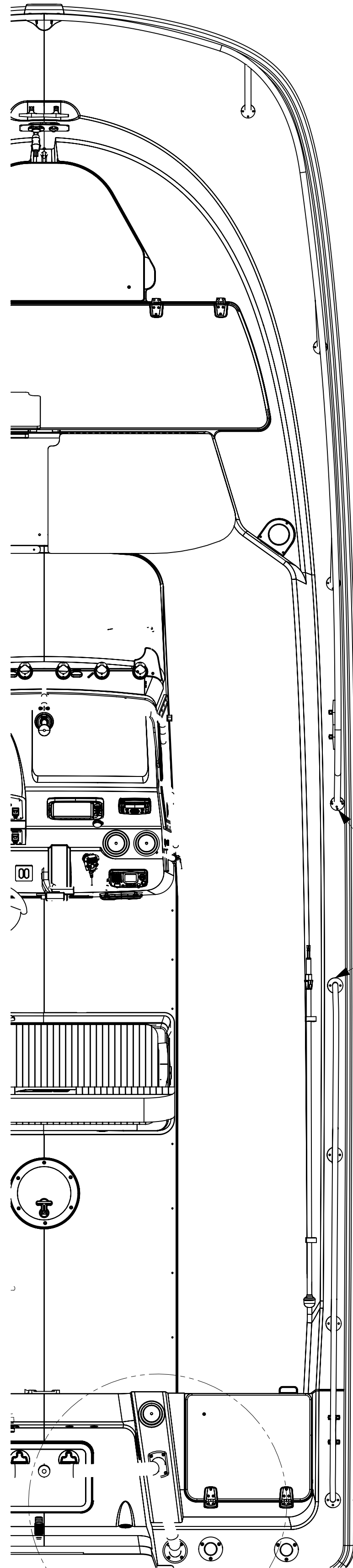
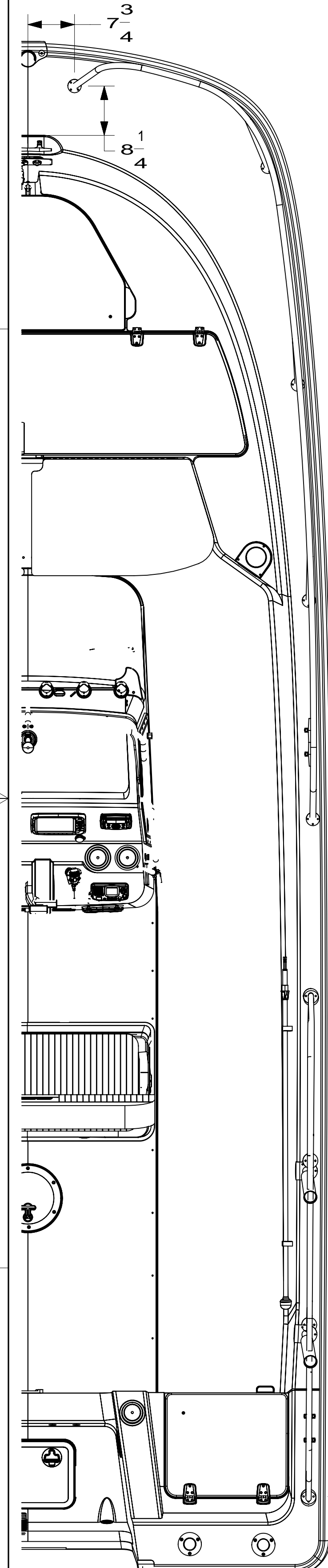
STD RAILS

CENTERED

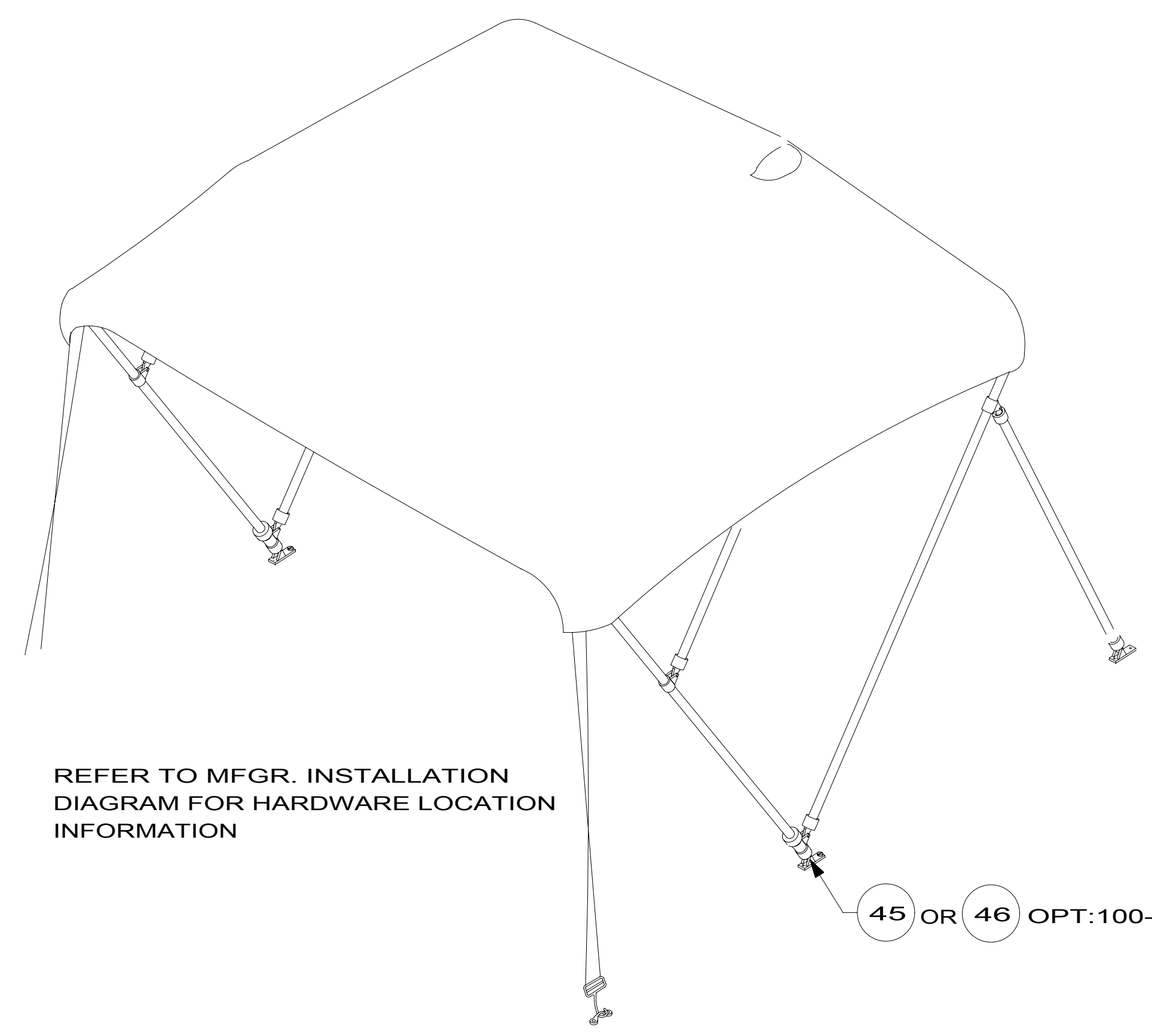
DETAIL A

DETAIL B

CENTERED ON GUNNEL

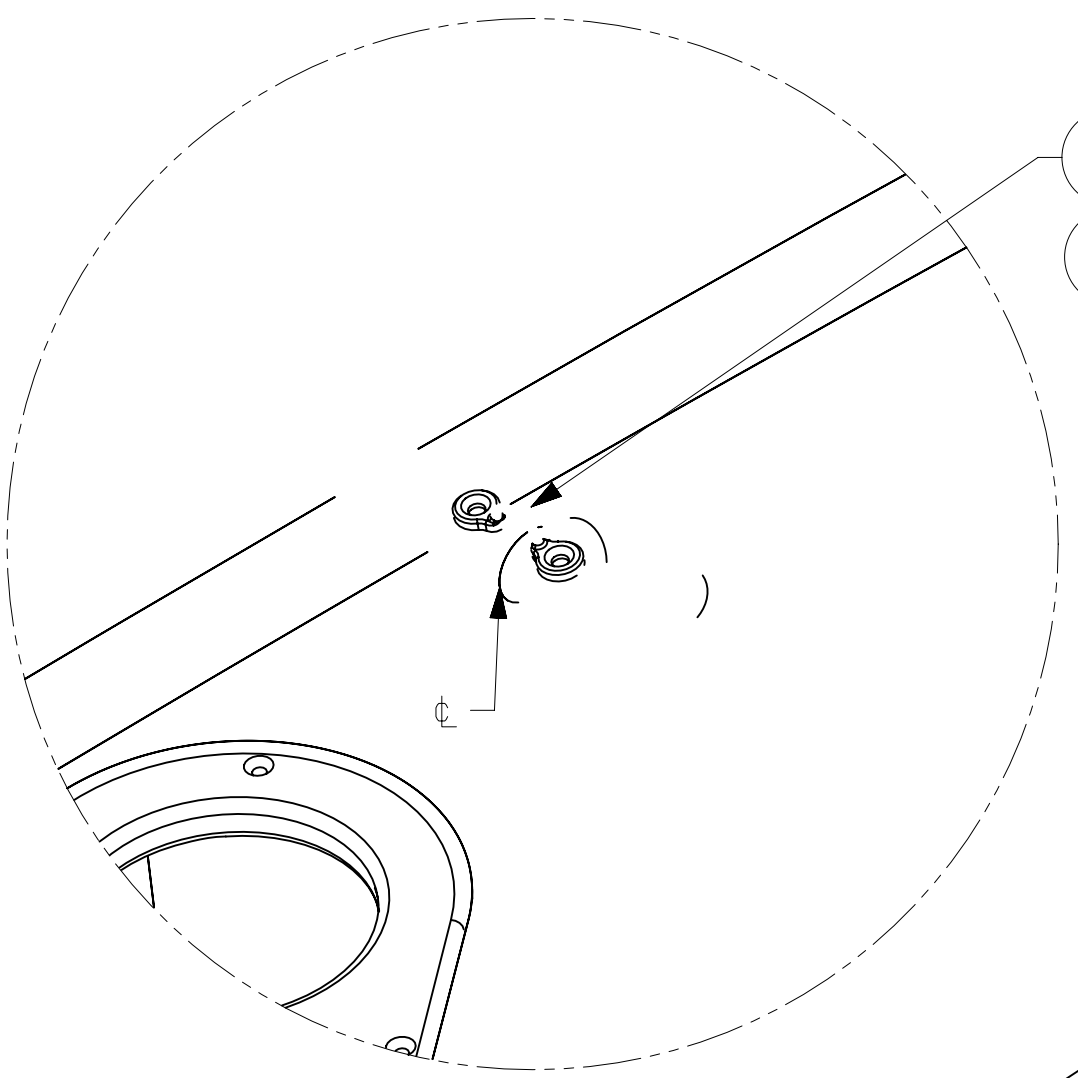


CHKD	BRUNSWICK		4121 S US HIGHWAY 1	
APVD	INIT. PRODUCT	DWG NO	EDgewater, FL 32141	
	D 210MT	6010-11-201	REV	G
SCALE	NONE	SHEET	3	

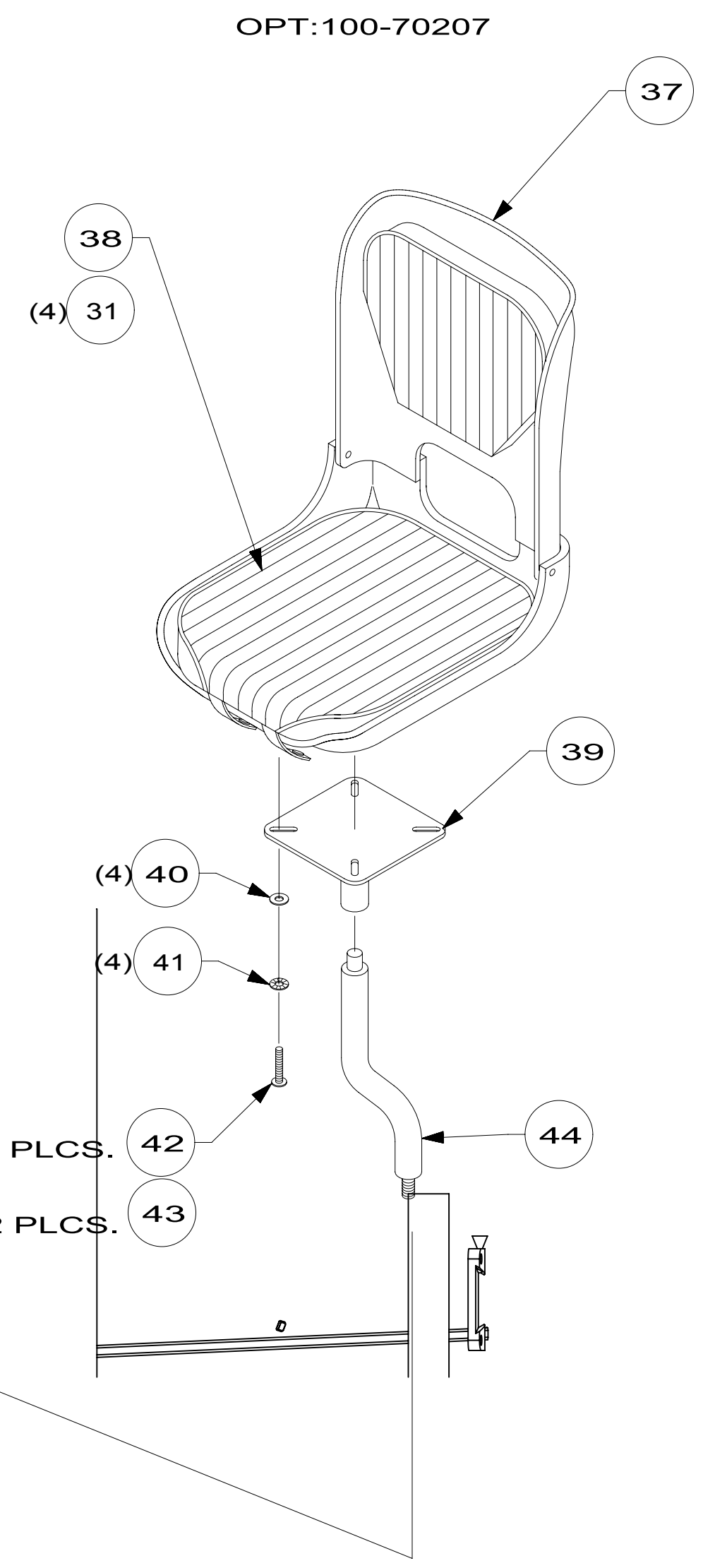


REFER TO MFGR. INSTALLATION  
DIAGRAM FOR HARDWARE LOCATION  
INFORMATION

45 OR 46 OPT:100-70515



56 OPT:100-70515  
57 (2)



OPT:100-70207

38  
(4) 31

(4) 40

(4) 41

2 PLCS. 42

2 PLCS. 43

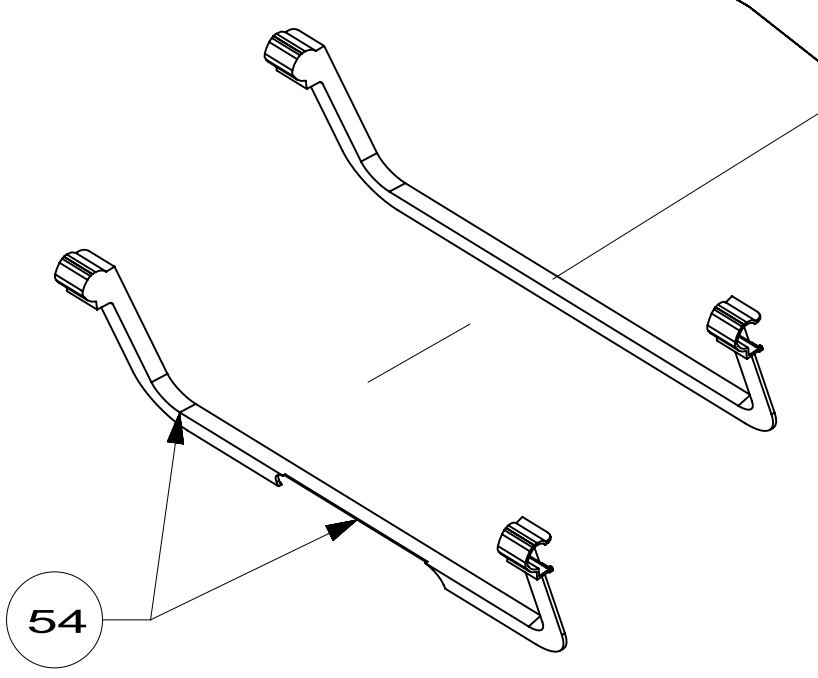
OPTIONAL COVERS (NOT SHOWN)

47 OR 48 OPT:100-70505  
CONSOLE COVER

49 OR 50 OPT:100-70505 W/100-70519  
CONSOLE COVER W/ T TOP

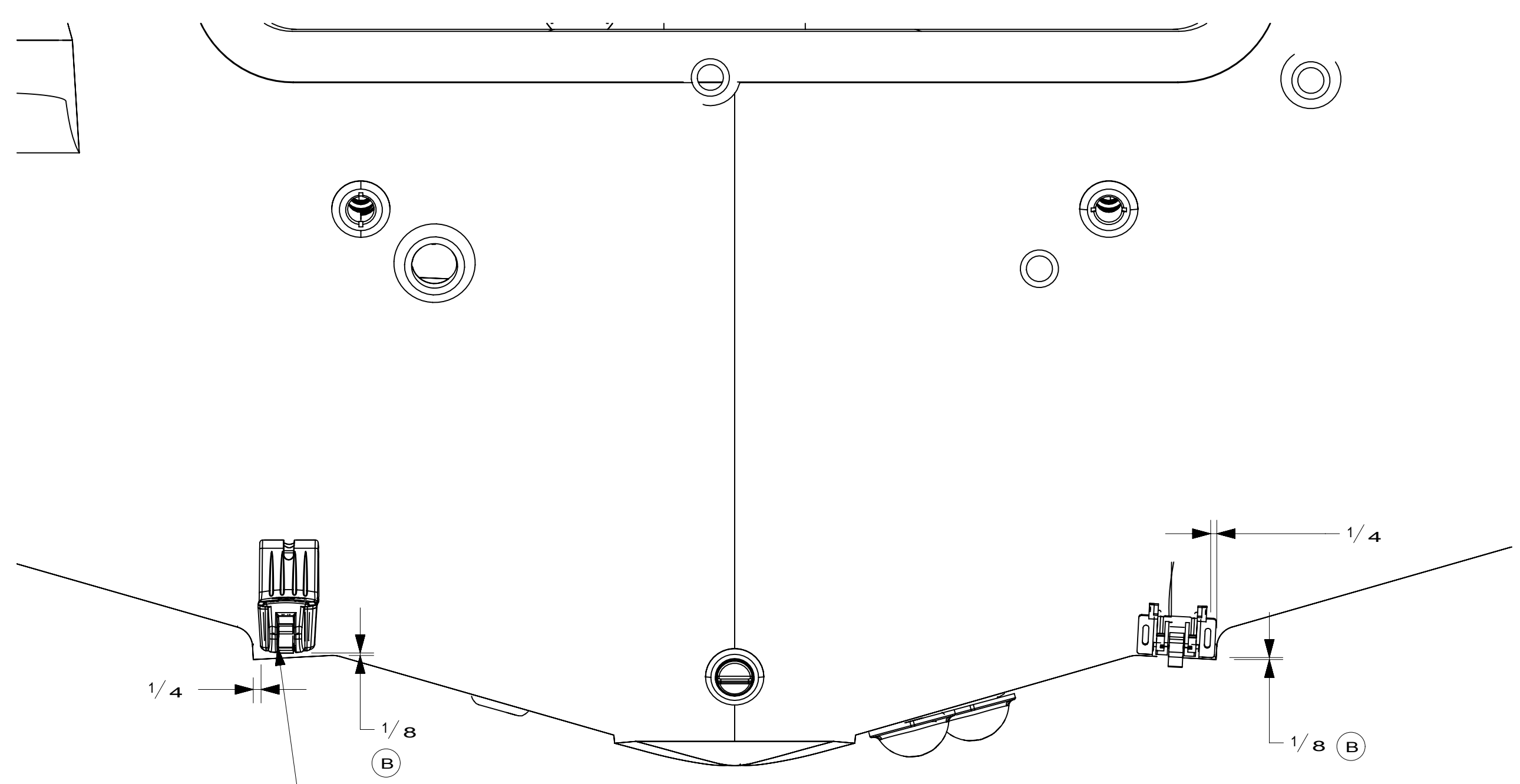
51 OR 52 OPT:100-70513  
REVERSIBLE PILOT SEAT COVER

STD  
P&S 53



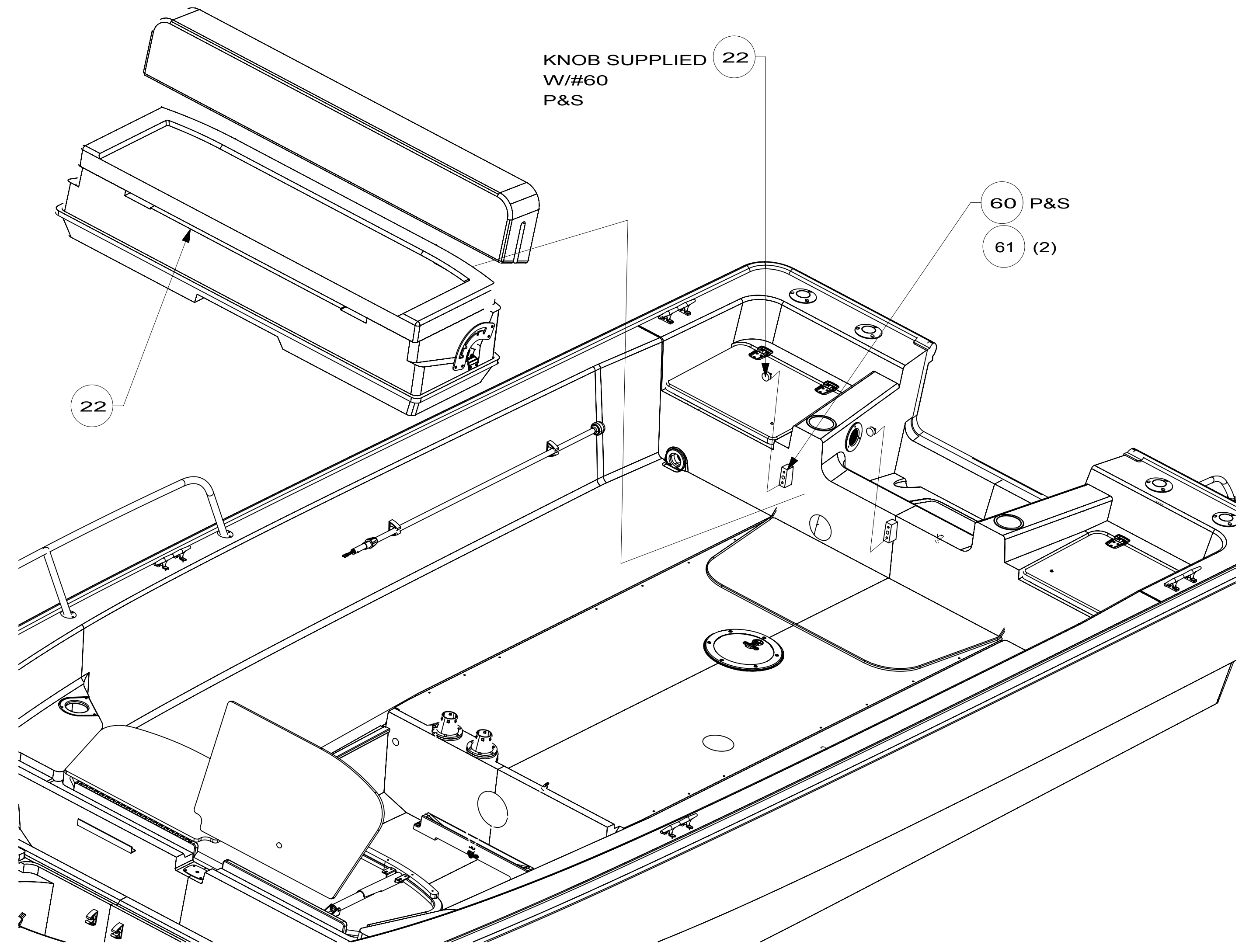
OPT:020-70405

CHKD	BRUNSWICK		4121 S US HIGHWAY 1
APVD	INIT. PRODUCT	DWG NO	EDGEWATER, FL 32141
	D 210MT	6010-11-201	REV G
	SCALE NONE	SHEET 4	

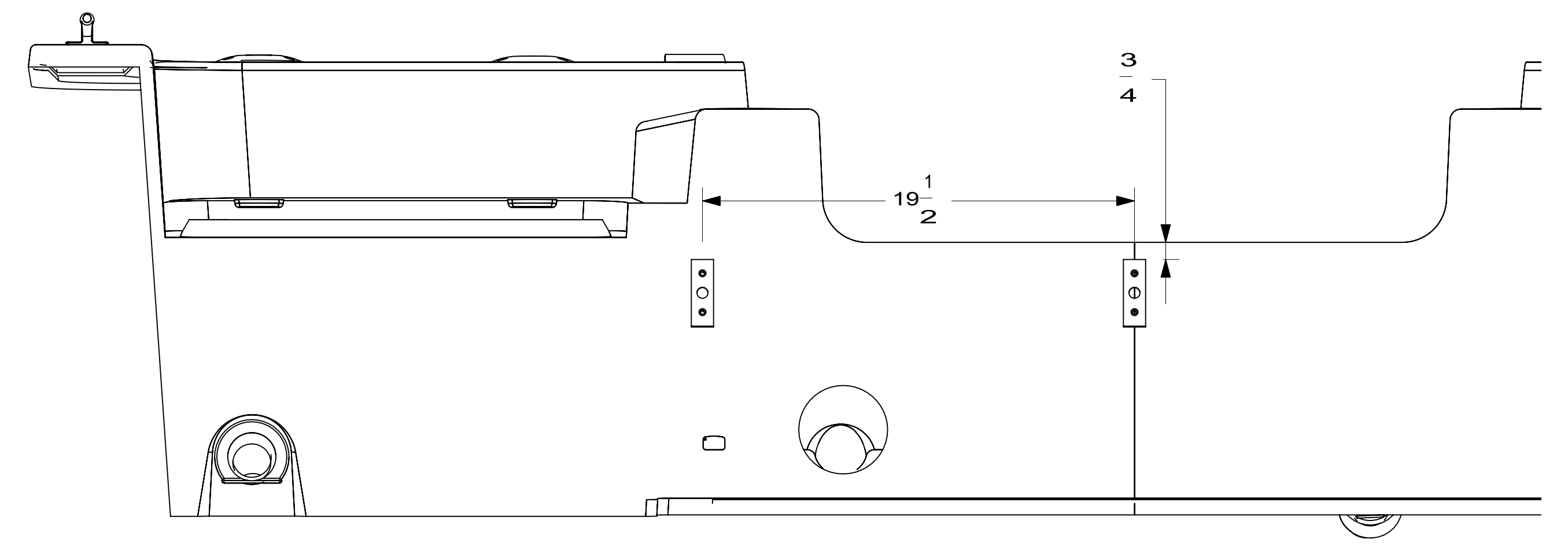


21 OPT:100-05184 (G)  
OPT:100-10247  
USE HARDWARE PROVIDED

OPT:020-70278  
020-70410  
54 (2)



AFT BENCH SEAT  
OPT:100-75300

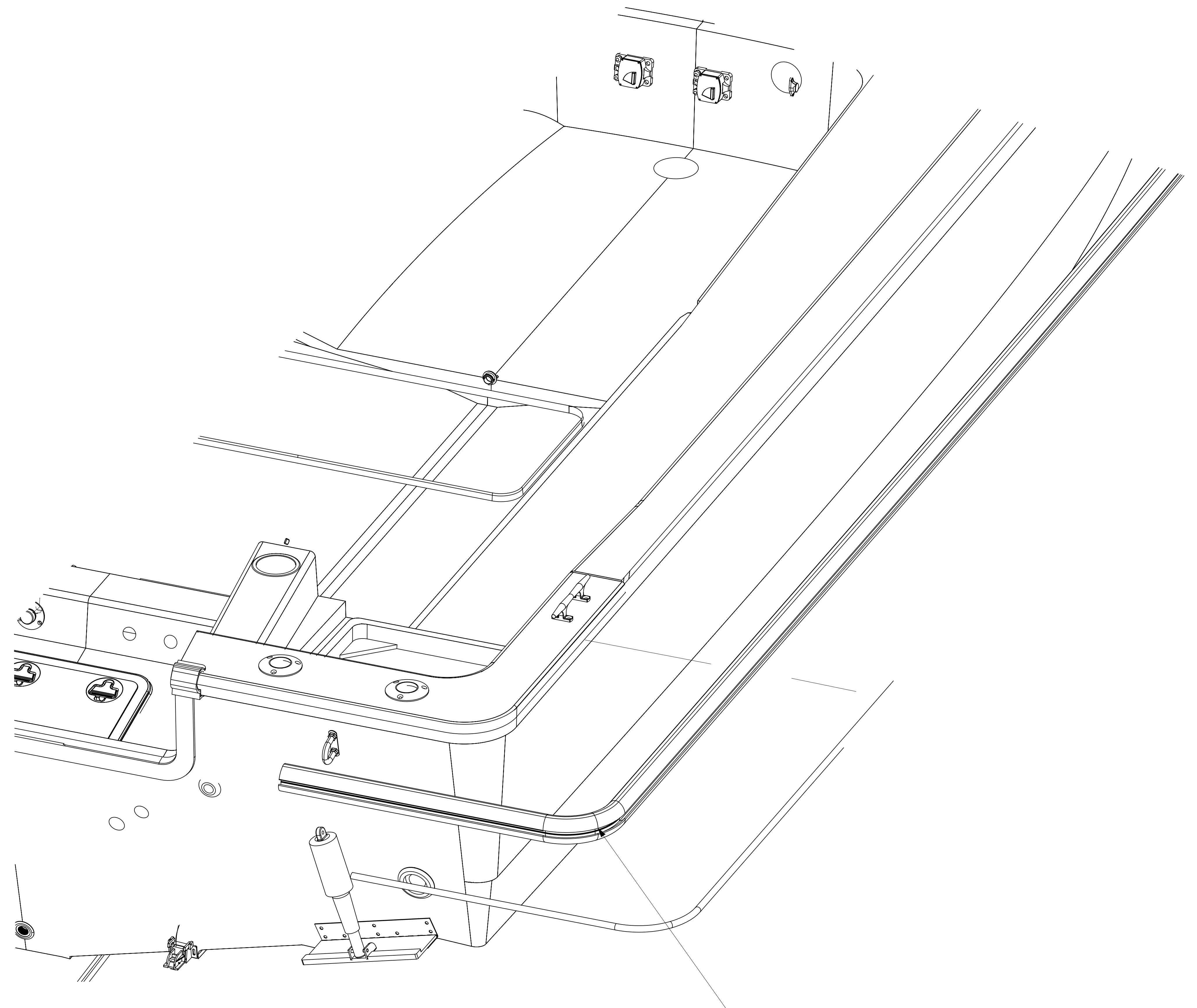


LOOKING AFT  
STERNDECK

CHKD	BRUNSWICK PD&E		4121 S US HIGHWAY 1 EDGEWATER, FL 32141
APVD	SIZE D 210MT	INIT. PRODUCT 6010-11-201	DWG NO REV G
	SCALE NONE		SHEET 5

8 7 6 5 4 3 2 1

D  
C  
B  
A



19  
55 (104) @6" O.C.

8 7 6 5 4 3 2 1

ALL CHANGES MUST BE PREAPPROVED BY PRODUCT DEVELOPMENT ENGINEERING

ELECTRONIC DOCUMENT

PROPRIETARY INFORMATION

USER MUST VERIFY DRAWING STATUS

CHKD	<b>BRUNSWICK</b>		EW- 4121 S US HIGHWAY 1 PD&E EDGEWATER, FL 32141	
APVD	SIZE <b>D 210MT</b>	INIT. PRODUCT	DWG NO <b>6010-11-201</b>	REV <b>G</b>
	SCALE NONE		SHEET 6	

1

PARTS LIST			
FIND NO	OBMS ID	DESCRIPTION	QTY REQD
1	09425	PILOT SEAT ASSEMBLY,	1
2	09301	FUEL TANK COVER ASSEMBLY,	1
3	09201	CONSOLE ASSEMBLY,	1
4	09101	STERN DECK ASSEMBLY, 6010-1020	1
5	2068721	TOW ARCH, ALUM BW210MT-12	1
6	1806032	THRU-HULL, MARELON BW-06 SHORT FEMALE	2
7	1806031	THRU-HULL, MARELON BW-06 SHORT MALE	2
8	2072255	CUSH, BW210MT-12 STERN SEAT BASE PRT	1
9	2072258	CUSH, BW210MT-12 CNSL ROD HLDR	1
10	2072254	CUSH, BW210MT-12 AFT SEAT B/R W/HDWR	2
11	2072257	CUSH, BW210MT-12 COOLER SEAT 94QT	1
12	2072262	CUSH, BW210MT-12 BOW AFT	1
13	2072261	CUSH, BW210MT-12 BOW FWD	1
14	1016435	COOLER, 94QT WHT	1
15	2075013	RAIL, SIDE 210MT-12 STB AFT W/ROD HLDRS	1
16	2075011	RAIL, SIDE 210MT-12 PRT AFT W/ROD HLDRS	1
17	2068771	RAIL, SIDE 210MT-12 SPLIT STB	1
18	2068769	RAIL, BOW SS 210MT-12	1
19	2068770	RAIL, SIDE 210MT-12 SPLIT PRT	1
20	1689429	RAIL, SIDE BW170MT-02 AFT	2
21	2079027	TRANSDUCER, P58 TRNSM MNT	1
22	09440	AFT LOUNGE SEAT ASSEMBLY	1
28	1008598	SCREW, MACHINE #1/4-20 X 1.5" PPH SC	15
29	1008754	SCREW, TAPPING #10A X 2" PTH SC	16
30	1008747	SCREW, TAPPING #10A X 1.5" PTH SC	7
31	0203786	SNAP STUD, W/#8 X 3/8" PH BR/NI/SS	33
32	1010297	SCREW, TAPPING #14A X 2" PPH SC	7
33	1742735	SCREW, TAPPING #14A X 2" PTH SC	5
34	0958868	WASHER, FINISH #12 SS	7
35	1008689	SCREW, TAPPING #14A X 1" PPH SC	78
36	1010438	SCREW, MACHINE #1/4-20 X 1.5" POH SC	16
37	1038876	SEAT, BW-97 FISHING WHT	1
38	1781443	CUSH, BW-DAVT-05 FISHING SEAT WHT/GRY	1
39	1043553	BRACKET, BW130/150DA-97 MOUNT FISHING SEAT	1
40	1260769	WASHER, FLAT #1/4" SC	4
41	1008929	WASHER, STAR #1/4 SS	4
42	1008580	SCREW, MACHINE #1/4-20 X 1" PPH SC	2
43	1260975	SCREW, MACHINE #1/4-20 X 1.25" PPH SC	2
44	1076975	OFFSET EXT, BW-98 FISH PED	1
45	2068765	CANVAS, 210MT-12 BIM TOP W/MNT BLK	1
46	2068766	CANVAS, 210MT-12 BIM TOP W/MNT BLUE	1
47	2068722	CANVAS, 210MT-12 CNSL CVR BLK	1
48	2068727	CANVAS, 210MT-12 CNSL CVR BLUE	1
49	2068767	CANVAS, 210MT-12 CNSL CVR W/T-TOP BLK	1
50	2068768	CANVAS, 210MT-12 CNSL CVR W/T-TOP BLUE	1
51	2068728	CANVAS, 210MT-12 REV SEAT CVR BLK	1
52	2068753	CANVAS, 210MT-12 REV SEAT CVR BLUE	1
53	1008812	SCREW, TAPPING #8A X 1/2" PTH SC	2
54	1008739	TAPPING #10A X 1" PTH SC	4
55	1814515	SCREW, TAP #10A X 1.5" W/STP EPXY ORNG PPH SC	104
56	0861120	EYE, STRAP EYE TIE-DOWN 5/16" CHR/ZINC	1
57	0192120	RIVET, POP/BLIND #3/16 X 3/8" SS	2
58	1831646	ADHESIVE, WELD-ON SS230HVA COMPONENT A 405	16,400
59	155572	ADHESIVE, WELD-ON SS 218HV COMPONENT B	0,200
60	1913717	CLEAT, POLY BW-08 AFT LNGR THREADED WHLR WHT	2
61	1213412	SCREW, TAPPING #10A X 3" POH SC	4
62	1260678	WASHER, FENDER 1/4"X 1.25" SC	2
63	2079304	HOLDER, 210MT-12 CKPT TBL	1
64	2072656	CUSH, 210MT-12 AFT SEAT STBD	1

(F)

(F)

CHKD	BRUNSWICK PD&E			4121 S US HIGHWAY 1 EDGEWATER, FL 32141
APVD	SIZE D	INIT. PRODUCT 210MT	DWG NO 6010-11-201	REV G
	SCALE NONE		SHEET 7	