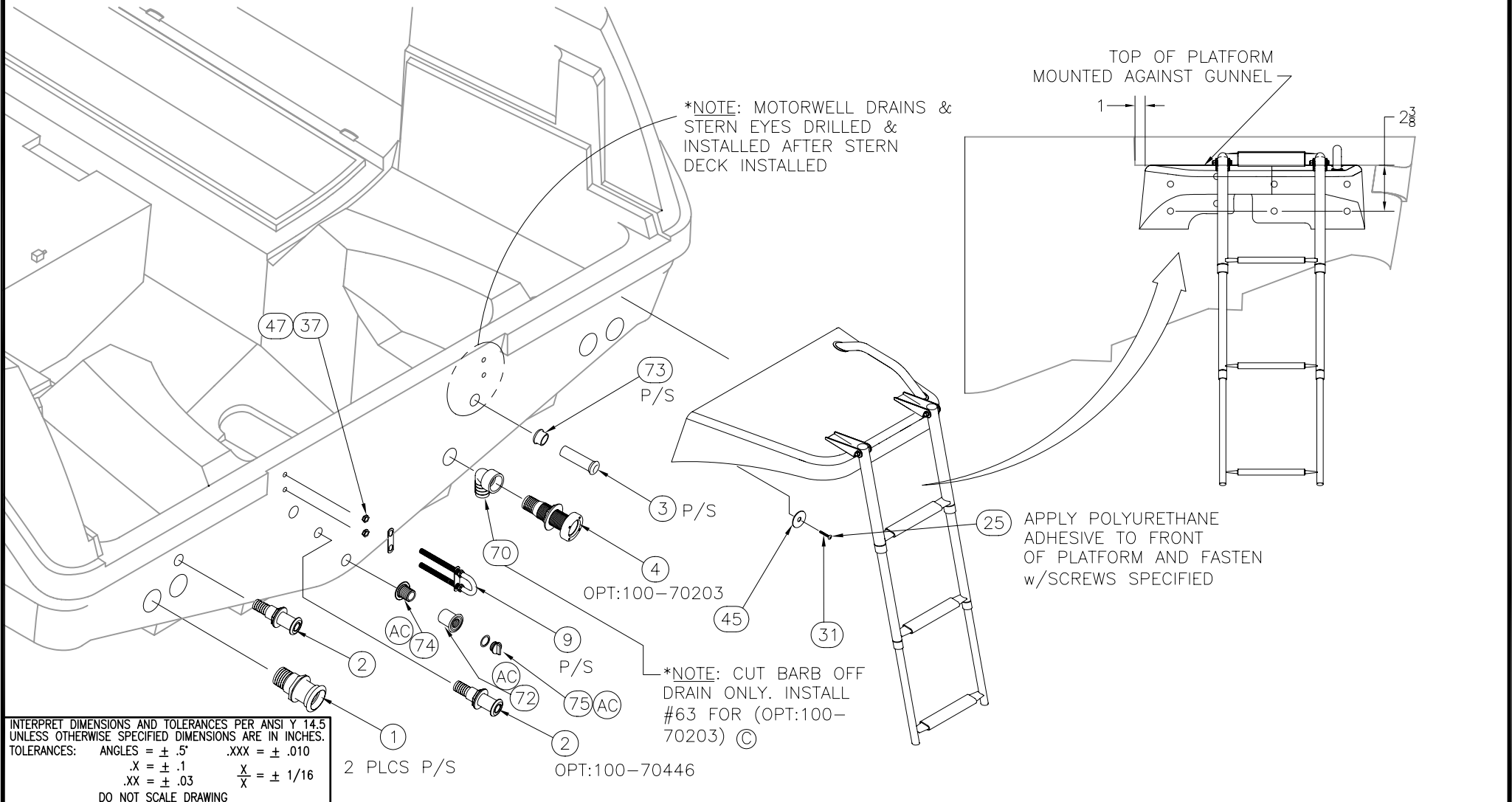


THIS DOCUMENT IS THE PROPERTY OF BOSTON WHALER, INC. MFG. DEPT., EDGEWATER, FLORIDA. ALL RIGHTS ARE RESERVED. THIS DOCUMENT AND INFORMATION CONTAINED MUST NOT BE COPIED OR DISCLOSED TO OTHERS WITHOUT WRITTEN PERMISSION OF BOSTON WHALER, INC.


DWG. NO:	REV.	CURRENT ECD
06151	AC	050544

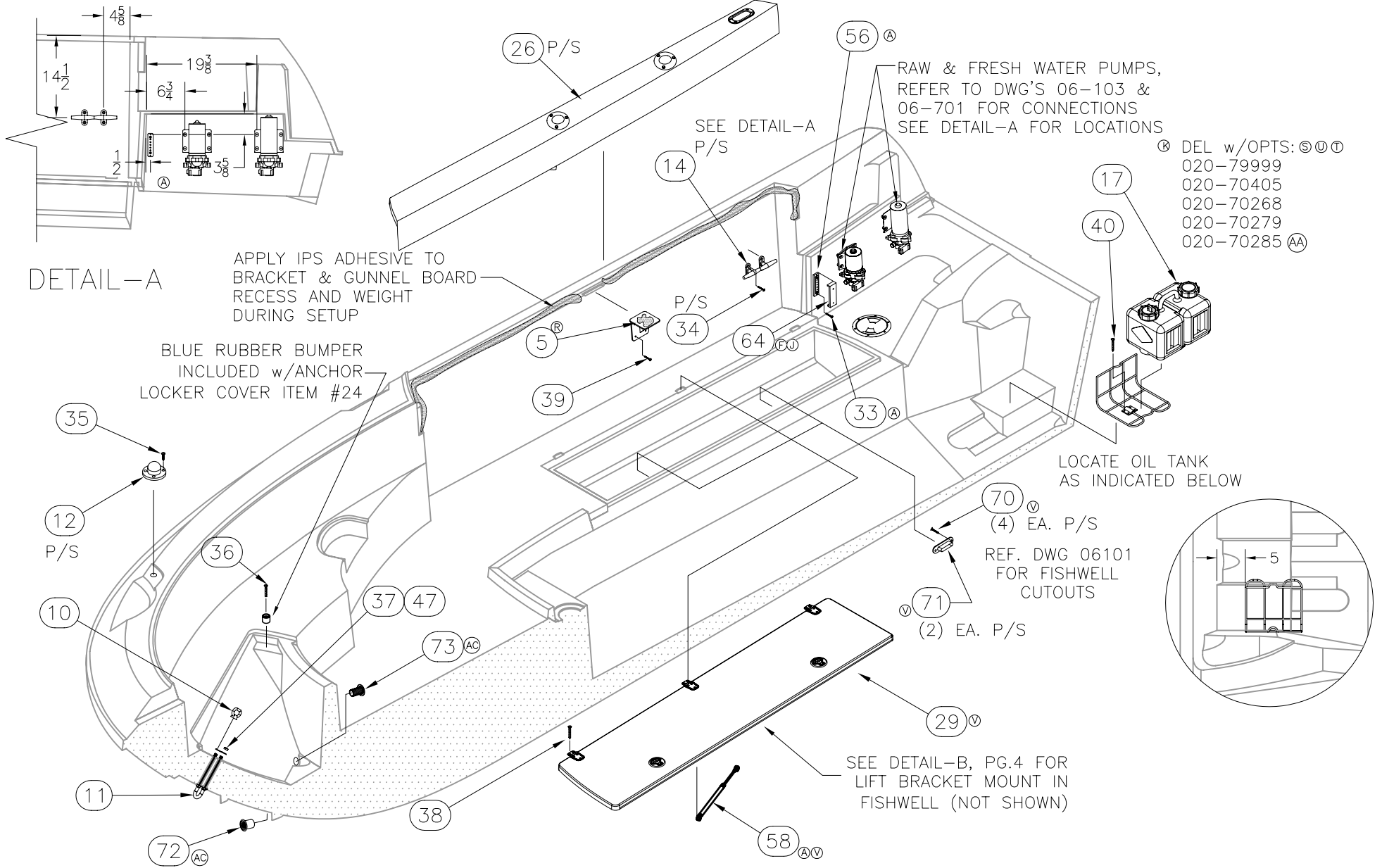
1. UNLESS OTHERWISE NOTED, CUTOUT IS STANDARD. SEE DWG. 06-101.
2. FIXTURES SHALL BE USED FOR ALL CUTOUTS. SEE FIXTURE LIST DWG. 01-201.
3. ALL THRU HULL CUTS WHICH RESULT IN EXPOSED WOOD, FOAM OR PHENOLIC MUST BE SEALED USING WHITE CATALYZED GEL COAT.
4. ALL THRU HULLS SHALL BE INSTALLED USING WHITE URETHANE CAULK ON INTERNAL & EXTERNAL GEL COAT SURFACES.

REVISIONS					
REV.	DESCR.	BY	DATE	APPVD.	ECN NO.
X	MYE 2006: ITEM # 65 P/N WAS 1717496	MRZ	06/15/05	MG	05-06-19
Y	CHANGED PN & DESCR. ITEM 60,61 SHT. 3	CSR	09/12/05	ME	04-06-40
Z	MODIFIED IPS DETAIL, SHEET 5.	SL	09/29/05	ME	05-09-03
AA	ADD OPT. 020-70285	GD	10/06/05	RA	05-07-21
AB	ADD OPT. 100-70401	GD	11/11/05	RA	05-11-23
AC	ADD 72-75, 3 WAS STD QNT 6, 49 WAS STD QNT 6	SWH	3/9/06		050544



INTERPRET DIMENSIONS AND TOLERANCES PER ANSI Y 14.5 UNLESS OTHERWISE SPECIFIED DIMENSIONS ARE IN INCHES.
 TOLERANCES: ANGLES = ± .5° .XXX = ± .010
 .X = ± .1 .XX = ± .03 X = ± 1/16
 DO NOT SCALE DRAWING

 PRODUCT DEV. & MFG. ENGINEERING GROUP	CHECKED: H. WOOD	DATE: 8/06/01	DRAWN: R. CRAVEN	DATE: 07/31/01	SCALE: NONE	BOAT MODEL	MOLD NO.	
	APPD: R. AVILA	DATE: 8/06/01	DWG. TITLE:			2100R		
	DESIGN: L. SCHOLZ	DATE: 8/07/01	HULL Outfit / Equipment Locations			INIT. REL. ECN NO:	DWG. NO:	SHT. NO.
INT. ENG: M. GATICA	DATE: 10/02/01					01060	06151	1 of 6



- Ⓚ DEL w/OPTS: Ⓢ Ⓣ Ⓝ
- 020-79999
- 020-70405
- 020-70268
- 020-70279
- 020-70285 Ⓜ

DETAIL-A

APPLY IPS ADHESIVE TO BRACKET & GUNNEL BOARD RECESS AND WEIGHT DURING SETUP

BLUE RUBBER BUMPER INCLUDED w/ANCHOR LOCKER COVER ITEM #24

LOCATE OIL TANK AS INDICATED BELOW

REF. DWG 06101 FOR FISHWELL CUTOUTS

SEE DETAIL-B, PG.4 FOR LIFT BRACKET MOUNT IN FISHWELL (NOT SHOWN)



INTERPRET DIMENSIONS AND TOLERANCES PER ANSI Y 14.5 UNLESS OTHERWISE SPECIFIED DIMENSIONS ARE IN INCHES.
 TOLERANCES: ANGLES = ± .5° .XXX = ± .010
 .X = ± .1 X = ± 1/16
 .XX = ± .03
 DO NOT SCALE DRAWING

DRAWN: R.CRAVEN DATE: 07/31/01 SCALE: NONE
 DWG. TITLE: Hull Outfit/ Equipment Locations

BOAT MODEL
2100R
INIT. REL. ECN NO:
01060

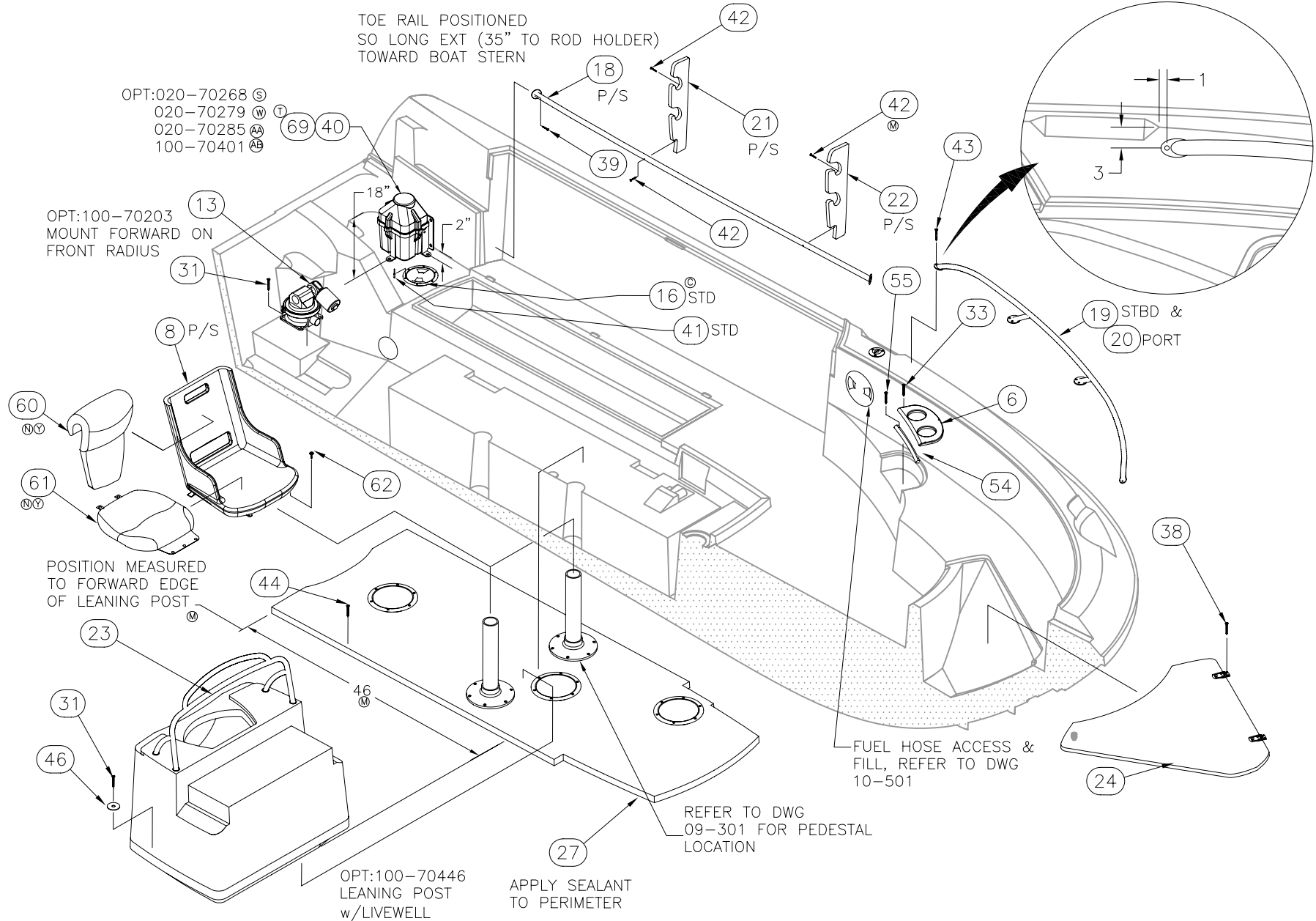
MOLD NO.
DWG. NO:
06151

THIS DOCUMENT IS THE PROPERTY OF BOSTON WHALER, INC. MFG. DEPT., EDGEWATER, FLORIDA. ALL RIGHTS ARE RESERVED. THIS DOCUMENT AND INFORMATION CONTAINED MUST NOT BE COPIED OR DISCLOSED TO OTHERS WITHOUT WRITTEN PERMISSION OF BOSTON WHALER, INC.

DWG. NO:
06151

REV.
AC

CURRENT ECD
050544



INTERPRET DIMENSIONS AND TOLERANCES PER ANSI Y 14.5 UNLESS OTHERWISE SPECIFIED DIMENSIONS ARE IN INCHES.
 TOLERANCES: ANGLES = ± .5° .XXX = ± .010
 .X = ± .1 X = ± 1/16
 .XX = ± .03
 DO NOT SCALE DRAWING

DRAWN: R.CRAVEN DATE: 07/31/01 SCALE: NONE
 DWG. TITLE: Hull Outfit/ Equipment Locations

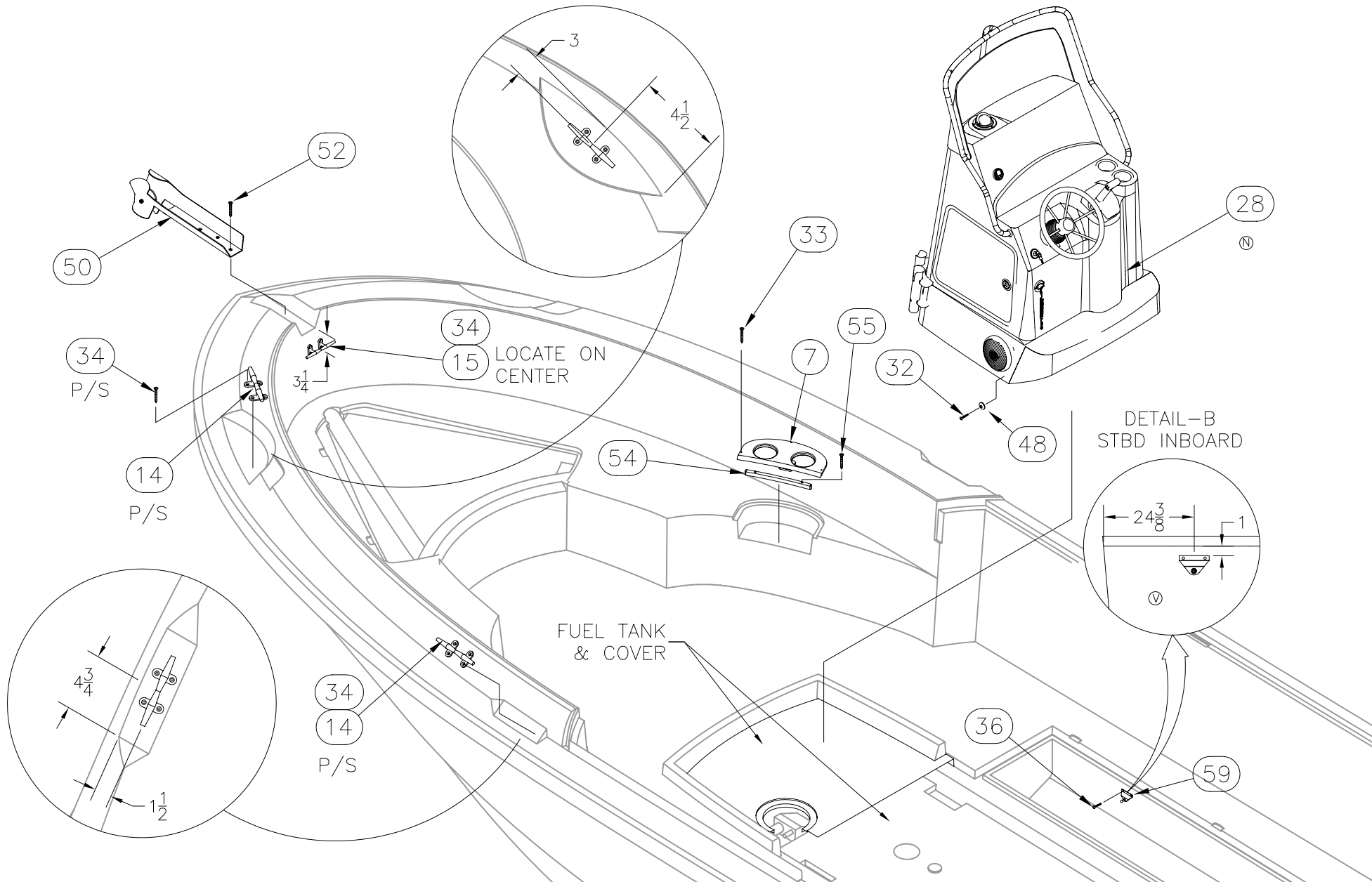
BOAT MODEL 2100R	MOLD NO.
INIT. REL. ECN NO: 01060	DWG. NO: 06151
SHT. NO. 3 OF 6	

THIS DOCUMENT IS THE PROPERTY OF BOSTON WHALER, INC. MFG. DEPT., EDGEWATER, FLORIDA. ALL RIGHTS ARE RESERVED. THIS DOCUMENT AND INFORMATION CONTAINED MUST NOT BE COPIED OR DISCLOSED TO OTHERS WITHOUT WRITTEN PERMISSION OF BOSTON WHALER, INC.

DWG. NO:
06151

REV.
AC

CURRENT ECD
050544



INTERPRET DIMENSIONS AND TOLERANCES PER ANSI Y 14.5 UNLESS OTHERWISE SPECIFIED DIMENSIONS ARE IN INCHES.
 TOLERANCES: ANGLES = ± .5° .XXX = ± .010
 .X = ± .1 X = ± 1/16
 .XX = ± .03
 DO NOT SCALE DRAWING

DRAWN: R. CRAVEN DATE: 07/31/01 SCALE: NONE

DWG. TITLE:
Hull Outfit/ Equipment Locations

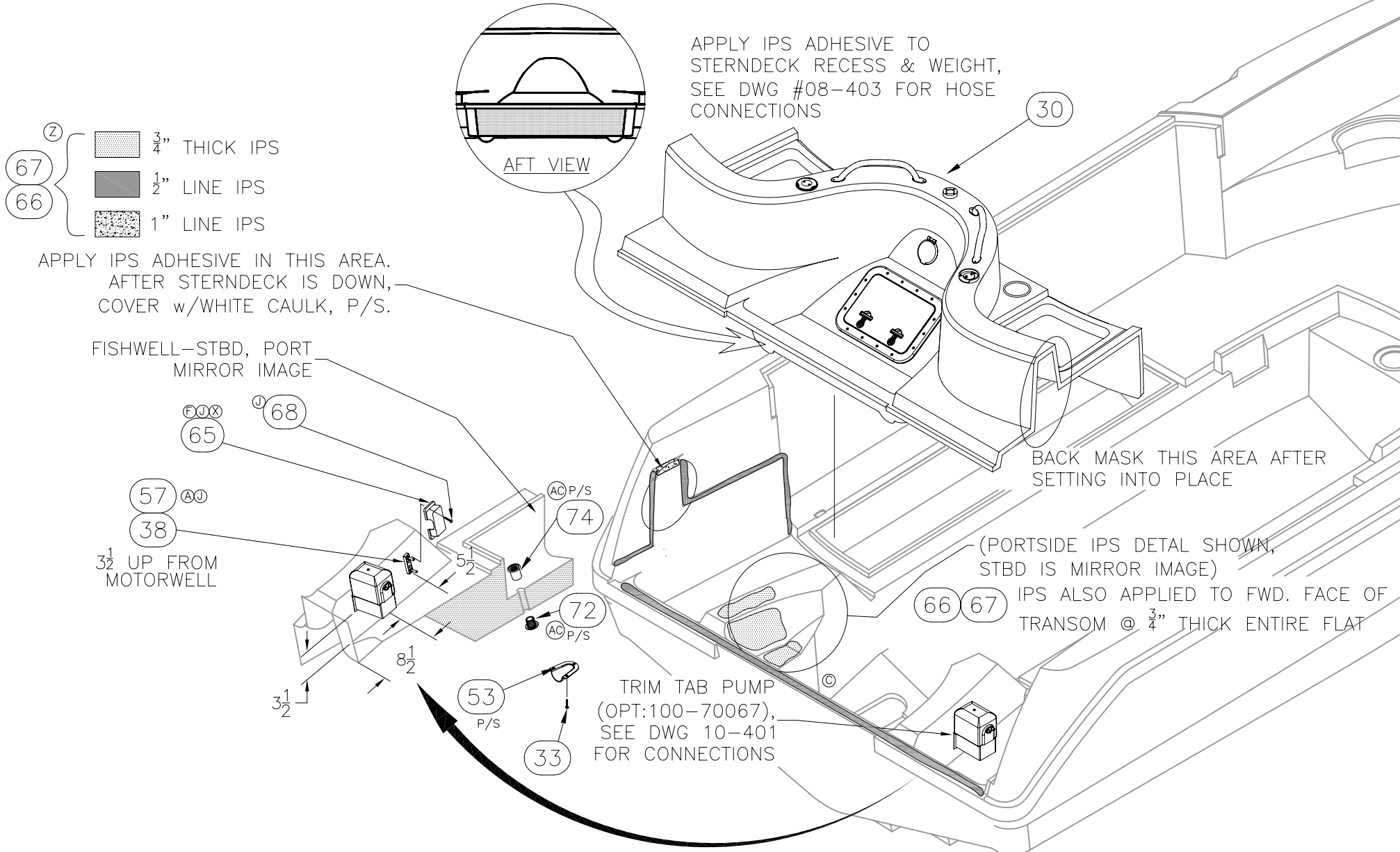
BOAT MODEL
2100R

INIT. REL. ECN NO:
01060

MOLD NO.

DWG. NO:
06151

SHT. NO.
4 of 6



THIS DOCUMENT IS THE PROPERTY OF BOSTON WHALER, INC. MFG. DEPT., EDGEWATER, FLORIDA. ALL RIGHTS ARE RESERVED. THIS DOCUMENT AND INFORMATION CONTAINED MUST NOT BE COPIED OR DISCLOSED TO OTHERS WITHOUT WRITTEN PERMISSION OF BOSTON WHALER, INC.

DWG. NO:

06151

REV.

AC

CURRENT ECD

050544

ITEM	QTY			U/M	DESCRIPTION	B.W.I.	NO.
	STD	OPT 70446	OPT 70203				
Q 1	4			EA.	THRU-HULL, PLAS 2" SCUPPER SHORT	1760065	
2	1	1		EA.	THRU-HULL, PLAS 1 1/8"X 5.5" WHT	1583061	
AC 3	2			EA.	THRU-HULL, PVC PRESS-FIT	1042084	
4			1	EA.	THRU-HULL, PLAS 2" SCUPPER W/FLAPPER	0628081	
R 5	2			EA.	BRACKET, ALUM BW-03 UNDER GUNNEL	1752662	
6	1			EA.	HOLDER, ACRYLIC BW2100R-02 DRINK PORT	1669647	
7	1			EA.	HOLDER, ACRYLIC BW2100R-02 DRINK STBD	1669936	
D 8	2			EA.	SEAT, HELM BW2100R-02 PED N/CUSH MILLENNIUM	1686593	
F 9	2			EA.	EYE, BOW 1/2"X 4" SS	0995456	
L 10	1			EA.	EYE, LIFTING 1/2" SS	1750949	
11	1			EA.	EYE, BOW 1/2"X 7 1/8" SS	0995498	
12	1			PR.	LIGHT, NAV SURF HORIZ MT CHR	0996496	
13			1	EA.	PUMP, HEAD SYS WASTE DIAPHRAGM 12V	1110808	
14	6			EA.	CLEAT, 8" SS HVY DUTY HOLLOW BASE	1027010	
15	1			EA.	CLEAT, 6" SS HOLLOW BASE	1027002	
PC 16	2			EA.	ACCESS PLATE, POLYPROP TWIST-OUT 5" WHT BWI	1016153	
K 17	1			EA.	TANK, OIL VRO W/HDWR W/SEND O/B 3 GAL DIGITAL	1477926	
18	2			EA.	RAIL, GRAB BW2100R-02 TOE SS	1669811	
19	1			EA.	RAIL, SIDE BW2100R-02 PORT FWD	1631415	
20	1			EA.	RAIL, SIDE BW2100R-02 STBD FWD	1631514	
21	2			EA.	ROD HOLDER, HDPE BW2100R-02 UNDR GUNL AFT	1631605	
22	2			EA.	ROD HOLDER, HDPE BW2100R-02 UNDR GUNL FWD	1671106	
23			1	EA.	LEANING POST/LIVEWELL SUB-ASSY	09-405	
24	1			EA.	ANCHOR LOCKER SUB-ASSY	09-402	
25	1			EA.	SWIM PLATFORM SUB-ASSY	09-406	
26	1			EA.	GUNNELS SUB-ASSY	09-226	
27	1			EA.	FUEL TANK COVER SUB-ASSY	09-301	
28	1			EA.	CONSOLE SUB-ASSY	09-201	
V 29	1			EA.	FISHWELL COVER SUB-ASSY	09-401	
30	1			EA.	STERNDECK SUB-ASSY	09-404	
31	8	4	4	EA.	SCREW, TAPPING #14A X 1.5" PPH SC	1008697	
32	13			EA.	SCREW, TAPPING #14A X 1" PFH SC	1008366	
33	18			EA.	SCREW, TAPPING #8A X 1" PTH SC	1008804	
34	28			EA.	SCREW, MACHINE #1/4-20 X 1.25" PFH SC	1213289	
35	6			EA.	SCREW, TAPPING #4A X 1" PPH SC	1010636	
36	5			EA.	SCREW, TAPPING #10A X 3/4" PTH SC	1008762	
37	5			EA.	NUT, ACORN #1/2-13 SC	1662402	
J 38	18			EA.	SCREW, TAPPING #10A X 1" POH SC	1008507	

ITEM	QTY			U/M	DESCRIPTION	B.W.I.	NO.
	STD	OPT 70446	OPT 70203				
39	8		12	EA.	SCREW, TAPPING #10A X 1" PPH SC		1213131
T 40	4		3	EA.	SCREW, TAPPING #14A X 1" PPH SC		1008689
41			12	EA.	RIVET, POP/BLIND #3/16 X 5/8" ALUM		0189415
M 42	16			EA.	SCREW, TAPPING #10A X 2.5" POH SC		1008531
43	16			EA.	SCREW, MACHINE #1/4-20 X 1" PPH SC		1008580
C 44	26			EA.	SCREW, TAPPING #10A X 3" PTH SC		1179357
45	4			EA.	WASHER, FENDER 1/4"X 1.25" SC		1260678
46		4		EA.	WASHER, FLAT #1/4" SC		1260769
47	5			EA.	WASHER, LOCK/SPLIT 1/2" SC (NOT SHOWN)		1326214
48	13			EA.	WASHER, FINISH #12 SS		0958868
AC 49	2			EA.	NUT, PVC RETAINING THRU-HULL		1042068
E 50	1			EA.	ROLLER, ANCHOR BW2100R-02 BOW SS		1650886
E 51	1			EA.	CHAFE PLT, BW2100R-97 BOW SS		1034842
52	4			EA.	SCREW, MACHINE #1/4-20 X 1.5" POH SC		1010438
53	2			EA.	VENT, CLAMSHELL ROPE LCKR 2"X2"		0533430
54	2			EA.	CLEAT, HDPE BW2100R-02 DRINK HOLDER		1683424
55	4			EA.	SCREW, TAPPING #8A X 1.25" POH SC		1213073
56	1			EA.	BUSS BAR, MINIBUS BAR DC		1324334
J 57	1			EA.	BUSS BAR, TERM POST 2 5/16 STUDS (ANL FUSE)		1717497
V 58	2			EA.	CYLINDER, GAS SS 80PSI 20"EXT X 12"COMP		1396860
59	2			EA.	BRACKET, LIFT CYL SS OFFSET W/STUD 2-HOLE		0995084
Y 60	2			EA.	CUSH, BWOR-05 PEDESTAL SEAT B/R		1781761
Y 61	2			EA.	CUSH, BWOR-05 PEDESTAL SEAT BASE		1781762
62	18			EA.	SNAP STUD, W/#8 X 3/8" PH BR/NI/SS		0203786
C 63			1	EA.	ELBOW, PVC 1.5"FPT X 1.5"BARB X 90DEG		0141515
G 64	2			EA.	COVER, ABS BW MINIBUSS BLK		1185016
XJG 65	1			EA.	COVER, BW 05 TERM POST 5/16 STUDS		1794323
G 66	1.5			GL.	ADHESIVE, WELD-ON SS 218HV COMPONENT A		1555564
G 67	15			GL.	ADHESIVE, WELD-ON SS 218HV COMPONENT B		1555572
T 68	2			EA.	SCREW, TAPPING #8A X 5/8" PTH SC		1010925
J 69			1	EA.	STEERING, POWER PACK MERC W/12' LEAD		1772668
V 70	8			EA.	SCREW, TAPPING #8A X 1" POH SC		1213065
V 71	4			EA.	CATCH, SS BW-06 COMPRESSION LATCH		1805759
AC 72	4			EA.	THRU-HULL, MARELON BW-06 SHORT FEMALE		1806032
AC 73	1			EA.	THRU-HULL, MARELON BW-06 LONG MALE		1806030
AC 74	3			EA.	THRU-HULL, MARELON BW-06 SHORT MALE		1806031
AC 75	1			EA.	PLUG, MARELON BW-06 DRAIN 1" W/GASKETLATCH		1806033



INTERPRET DIMENSIONS AND TOLERANCES PER ANSI Y 14.5 UNLESS OTHERWISE SPECIFIED DIMENSIONS ARE IN INCHES.
 TOLERANCES: ANGLES = ± .5° .xxx = ± .010
 .x = ± .1 X = ± 1/16
 .xx = ± .03 X = ± 1/16
 DO NOT SCALE DRAWING

DRAWN: R.CRAVEN

DATE: 07/31/01

SCALE: NONE

BOAT MODEL

2100R

MOLD NO.

DWG. TITLE:

Hull Outfit/ Equipment Locations

INIT. REL. ECN NO:

01060

DWG. NO:

06151

SHT. NO.

6 OF 6