

DWG. NO. PB255CCQ37

2

3

4

5

6

7

8

F

E

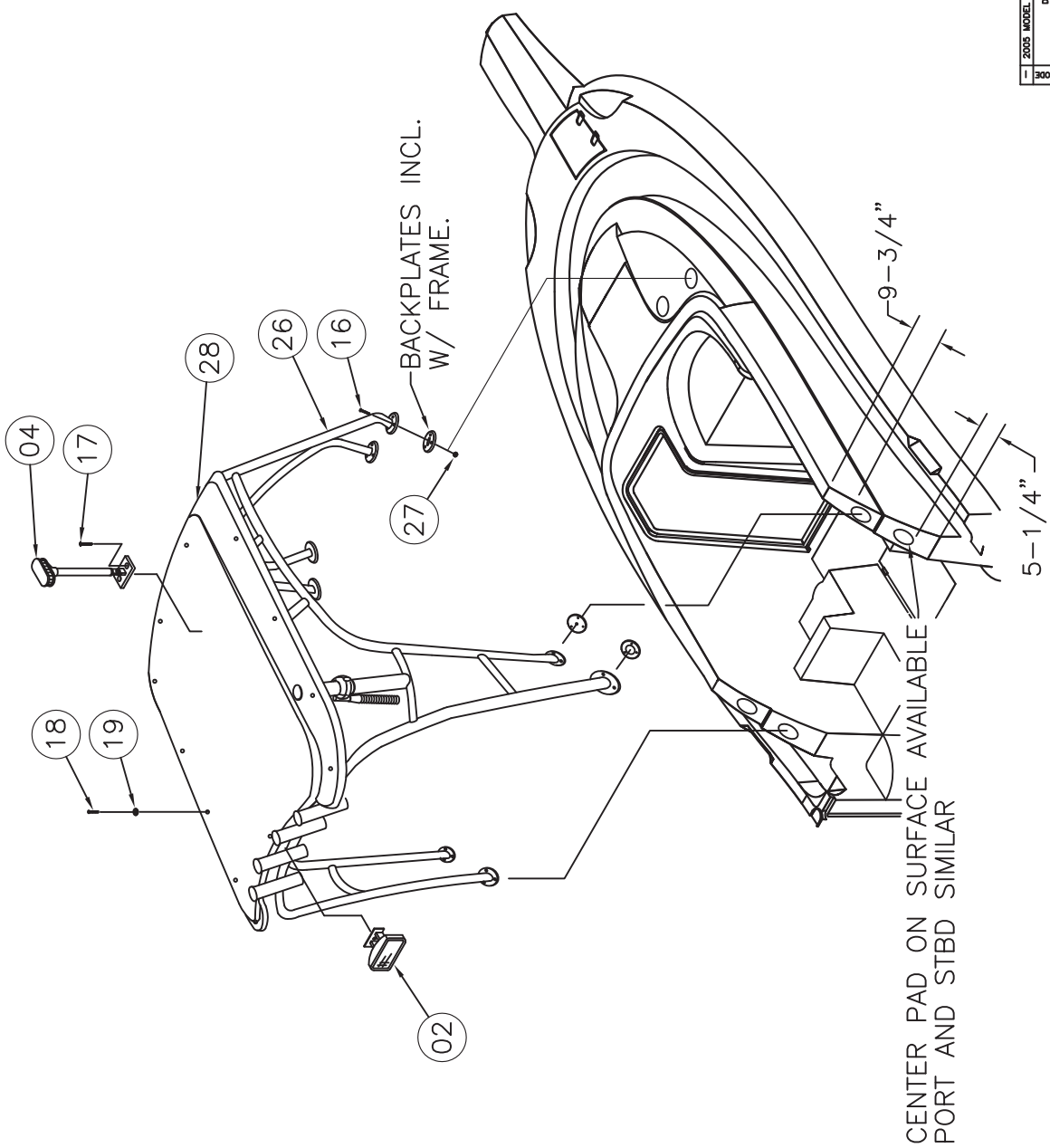
D

C

B

A

Boston Whaler, Inc.



UNLESS OTHERWISE SPECIFIED: DIMENSIONS IN INCHES DIMENSIONS IN MILLIMETERS FRACTIONS TO DECIMALS 1/8" = .125" 1/16" = .0625" 1/32" = .03125" 1/64" = .015625" DO NOT SCALE DRAWING	DWG. NO. PB255CCQ37
ASSEMBLY & PARTS IDENT. DOCUMENT	T U N S U U C Q 37
SCALE NONE	DRW. J. MANIAS
DATE 06/21/04	DESIGN
BY C	DATE

ENGINEERING DEPARTMENT	APPLY
TITLE HARDTOP/CANVAS ASSEMBLY #1	REV
255CCQ	DATE
2005 MODEL YEAR UPDATE	DESCRIPTION
REVISIONS	
1	2
1	1

DWG. NO. PB255CCQ38

2

3

4

5

6

7

8

F

E

D

C

B

A

←

→

←

→

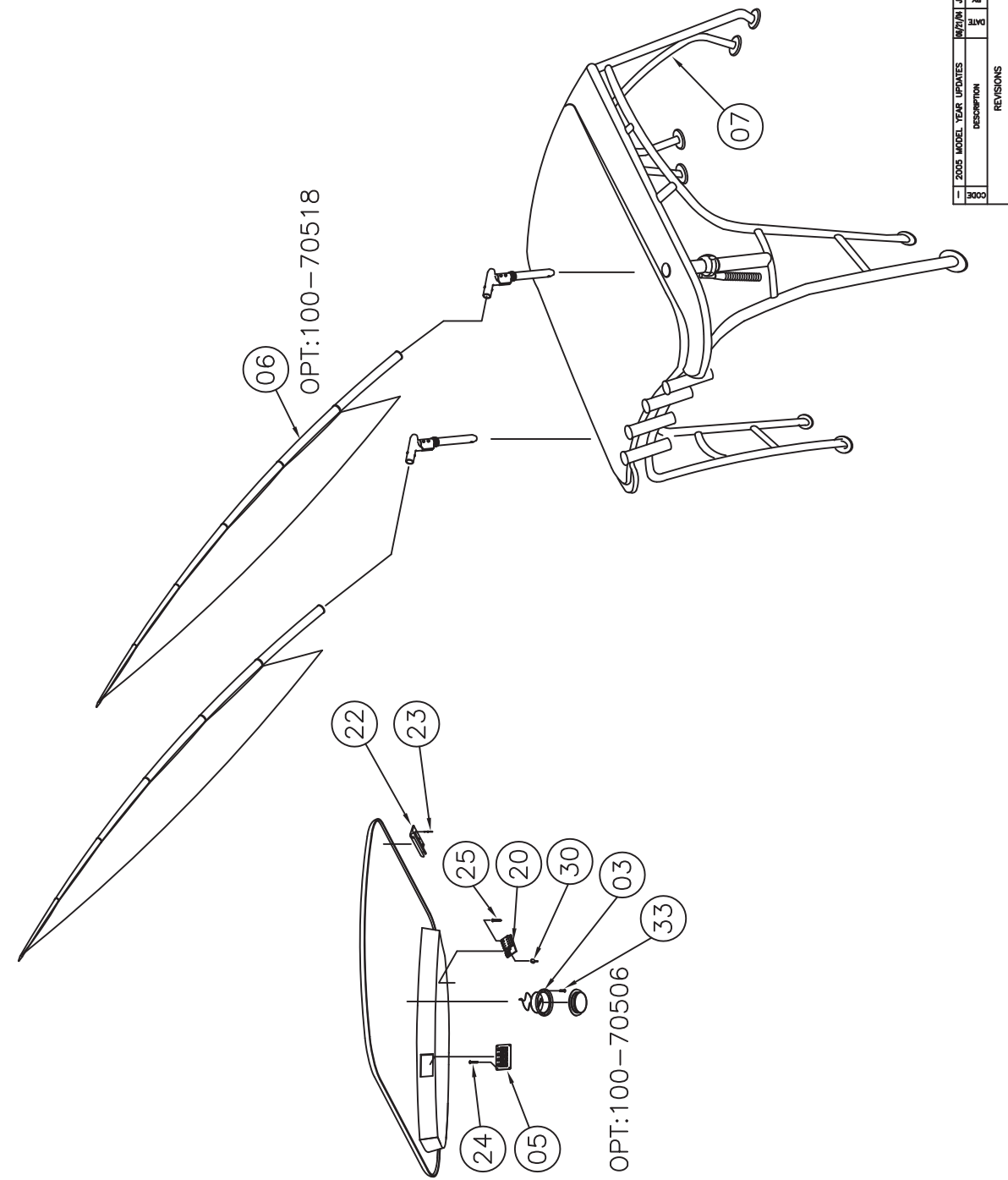
←

→

←

→

Boston Whaler, Inc.



UNLESS OTHERWISE SPECIFIED: DIMENSIONS IN INCHES DIMENSIONS TO SURFACES UNLESS NOTED OTHERWISE	SCALE NONE	DRAWN J. MARAS
BY J. MARAS	CHECKED J. MARAS	DATE 06/17/04
DATE 06/17/04	DESIGN J. MARAS	BY J. MARAS
ENGINEERING DEPARTMENT		
TITLE HARDTOP/CANVAS ASSEMBLY #2		
255CC		

COORD	2005 MODEL YEAR UPDATES	DATE	BY	APP'D
1	DESCRIPTION			

REVISIONS
1
2
3
4
5
6
7
8

REV. NO. PB255CCQ39

2

3

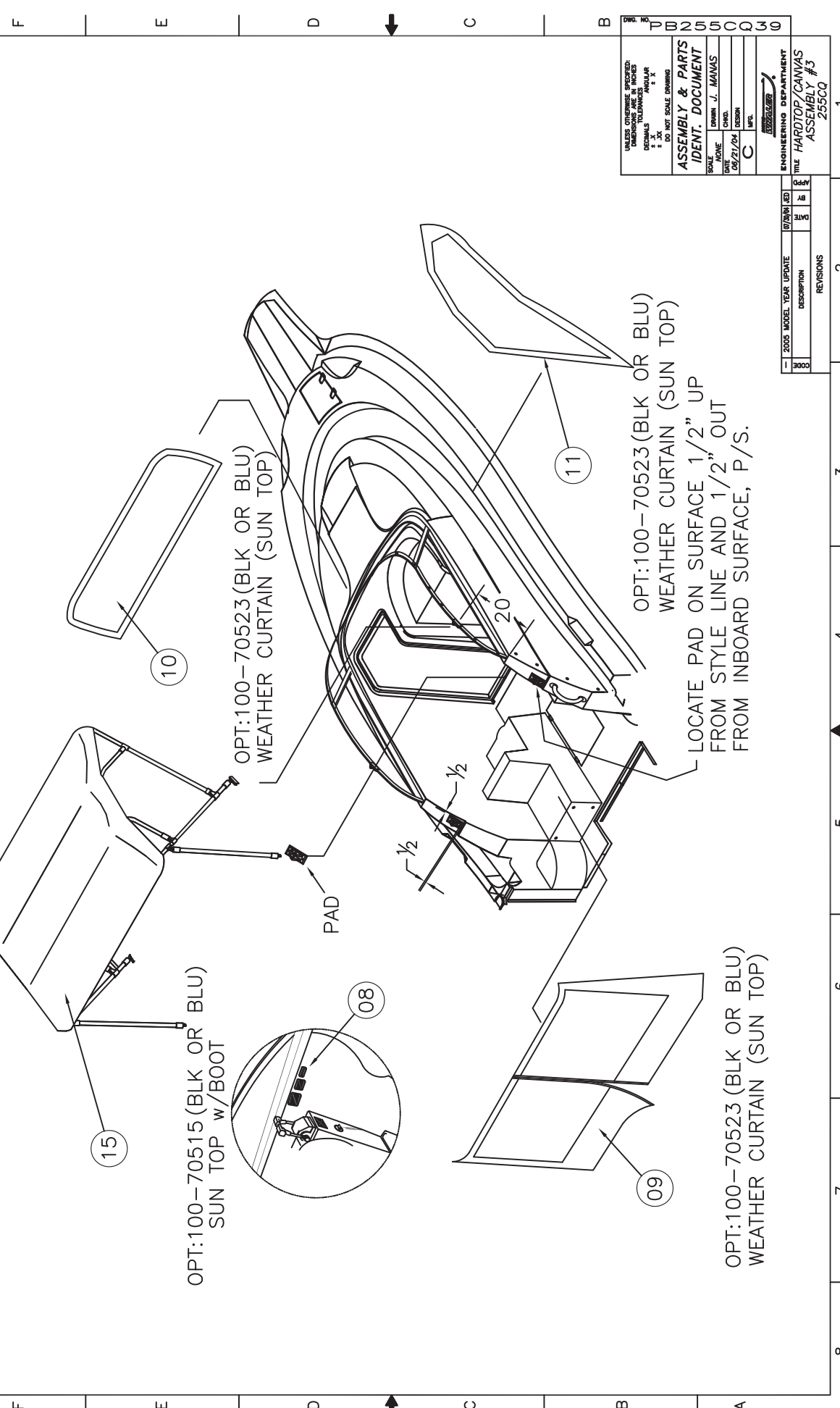
4

5

6

7

8



Boston Whaler, Inc.

UNLESS OTHERWISE SPECIFIED: DIMENSIONS IN INCHES DIMENSIONS IN MILLIMETERS 1" = 25.4 MM DO NOT SCALE DRAWING	DWG. NO.	T
ASSEMBLY & PARTS IDENT. DOCUMENT	DATE	08/21/04
SCALE	DRWN. J. MANIAS	CHKD. C
DATE	DATE	DATE
BY	BY	BY
APP'D.	APP'D.	APP'D.
ENGR'G DEPARTMENT	ENGR'G DEPARTMENT	ENGR'G DEPARTMENT
TITLE HARDTOP/CANVAS ASSEMBLY #3 255CC	TITLE HARDTOP/CANVAS ASSEMBLY #3 255CC	TITLE HARDTOP/CANVAS ASSEMBLY #3 255CC

REV.	DATE	DESCRIPTION	BY	APP'D.
1	08/21/04	2005 MODEL YEAR UPDATE		

REVISIONS

2

3

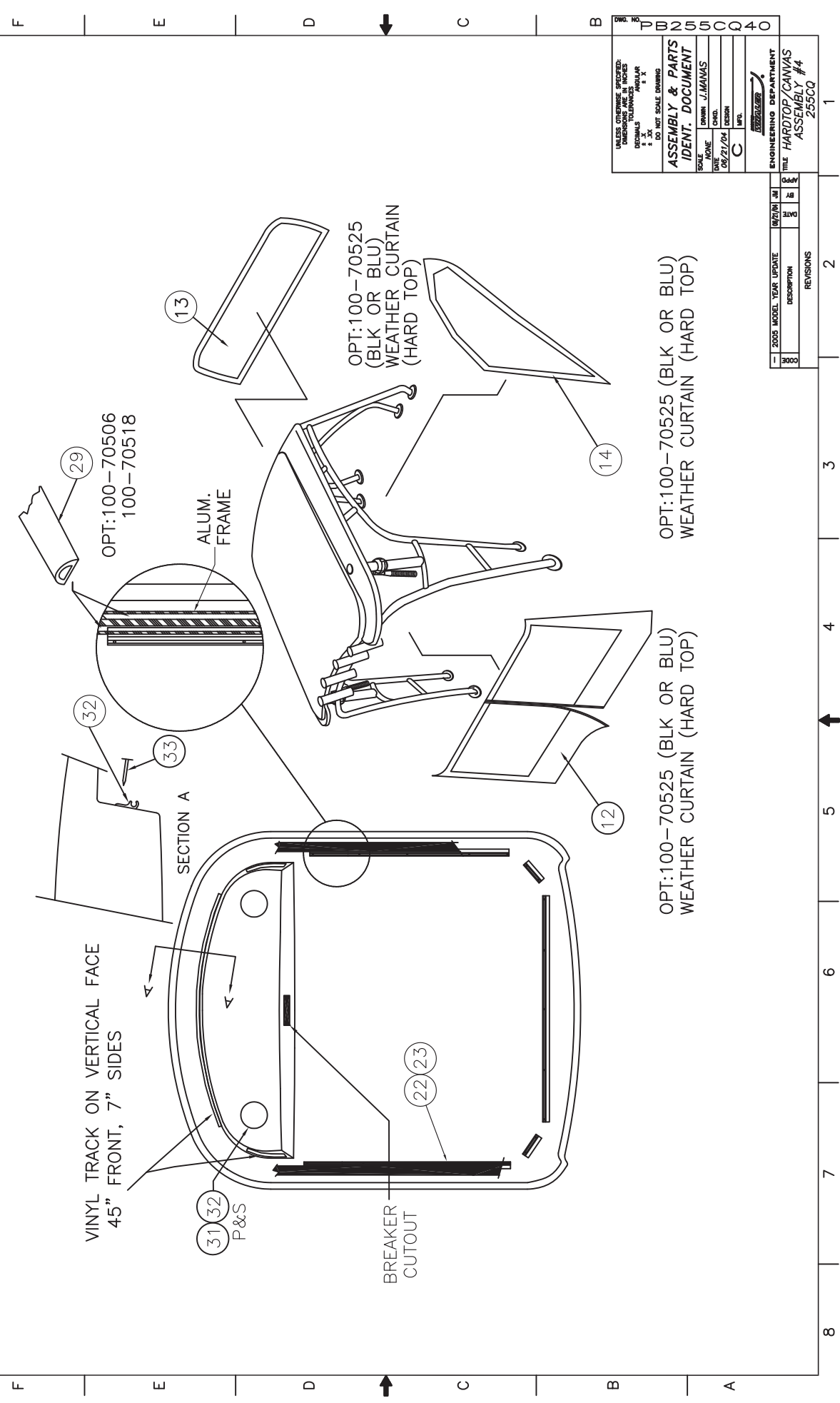
4

5

6

7

8



UNLESS OTHERWISE SPECIFIED:
DIMENSIONS IN INCHES
DIMENSIONS IN MILLIMETERS
FRACTIONS TO NEAREST 1/16"
DECIMALS TO NEAREST 0.005"
DO NOT SCALE DRAWING

ASSEMBLY & PARTS IDENT. DOCUMENT

SCALE	DRAWN	J.J.MANAS
DATE	CHKD.	
08/21/04	DESIGN	
	BY	

ENGINEERING DEPARTMENT
TITLE **HARDTOP/CANVAS ASSEMBLY #4**
255CQ

NO.	MODEL	YEAR	UPDATE	DATE	BY	APP'D.	REVISIONS
1	2003						

OPT:100-70525 (BLK OR BLU) WEATHER CURTAIN (HARD TOP)

OPT:100-70525 (BLK OR BLU) WEATHER CURTAIN (HARD TOP)

MODEL YEAR 2005 PARTS LIST

BOAT MODEL: 255 CONQUEST-03
DOCUMENT CONTROL NO: PB255CQ41

ITEM	QTY	U/M	DESCRIPTION	B.W.I. NO.
2	1	EA.	LIGHT HALOGEN 12V FLOOD 4"x 6" BLK	1690119
3	1	EA.	LIGHT, SGL DOME FLUSH MT SS WHT/RED	1761590
4	1	EA.	LIGHT, NAV MASTHEAD COMBO VERT MT	1122563
5	1	EA.	PANEL, BW255CQ-04 SWITCH HARDTOP	1754877
6	1	PR.	OUTRIGGER POLES 16'	1614270
7	1	EA.	FRAME, BW255CQ-05 H/TOP W/RADIAL OUTRIGGERS	1775382
8	1	EA.	LABEL, BW WARNING CARBON MONOXIDE CANVAS ENCL.	1110675
9	1	EA.	CANVAS, BW255CQ-04 BIM TOP DROP CURT BLK	1753046
9A	1	EA.	CANVAS, 255CQ-02 BIM TOP DROP CURT BLUE	1611771
10	1	EA.	CANVAS, BW255CQ-04 BIM TOP VISOR CURT BLK	1753047
10A	1	EA.	CANVAS, BW255CQ-02 BIM TOP VISOR CURT BLUE	1611797
11	1	EA.	CANVAS, BW255CQ-04 BIM TOP SIDE CURT SET BLK	1753045
11A	1	EA.	CANVAS, BW255CQ-04 BIM TOP SIDE CURT SET BLUE	1611813
12	1	EA.	CANVAS, BW255CQ-04 H/T DROP CURT BLK	1753048
12A	1	EA.	CANVAS, BW255CQ-02 H/T DROP CURT BLUE	1611839
13	1	EA.	CANVAS, BW255CQ-04 H/T VISOR CURT BLK	1753050
13A	1	EA.	BW255CQ-02 H/T VISOR CURT BLUE	1611854
14	1	EA.	CANVAS, BW255CQ-04 H/T SIDE CURT SET BLK	1753049
14A	1	EA.	CANVAS, BW255CQ-02 H/T SIDE CURT SET BLUE	1611888
15	1	EA.	CANVAS, BW255CQ-04 BIM TOP W/BOOT BLK	1753044
15A	1	EA.	CANVAS, BW255CQ-04 BIM TOP W/BOOT BLUE	1753051
16	24	EA.	SCREW, MACHINE 1/4"-20 x 1.5 PPH SC	1008598
17	2	EA.	SCREW, TAPPING #10A x 3/4" PTH SC	1008762
18	12	EA.	SCREW, CAP #1/4-20 x 2" HEX HD SC	1480102
19	12	EA.	WASHER, FENDER 1/4" x 1.25" SC	1260678
20	1	EA.	FUSE BLOCK, 10-GNG BLADE-TYPE W/BLANK	1688102
22	17.3	FT.	CANVAS, BW-00 SLIDE TRACK HARDTOP	1357730
23	26	EA.	SCREW, TAPPING #6 x 3/4" PFH SC	1010370
24	4	EA.	SCREW, TAPPING #6A x 1/2" PTH SC	1008796
25	4	EA.	SCREW, TAPPING #8A x 1" PTH SC	1008804
26	1	EA.	FRAME, BW255CQ-05 H/T BRUSHED FINISH	1770966
27	24	EA.	NUT, HEX NYLON LOCK #1/4-20 SC	1007764
28	1	EA.	FIBERGLASS HARDTOP	22-K036-00
29	52	FT.	TRIM-SEAL, #X1333BT SELF-ADH BLK	1232156
30	1	EA.	BOOT, PVC TERMINAL INSULATOR CAP RED	1689904
31	2	EA.	ACCESS PLATE, POLYPROP TWIST-OUT 5"	1016153
32	27	EA.	RIVET, POP/BLIND #3/16 X 5/8" ALUM	0189415
33	2	EA.	SCREW, TAPPING #8 x 5/8 PTH SC	1010925